

ART. A148

LOCKING HANDLE WITH THREADED INSERT

MATERIAL:

Reinforced polyamide.
Oils and greases resistant.

SURFACE:

Satin.

COLOUR:

Black (RAL 9011).

CENTRAL CAP:

Grey polyamide (RAL 7035 code 13).

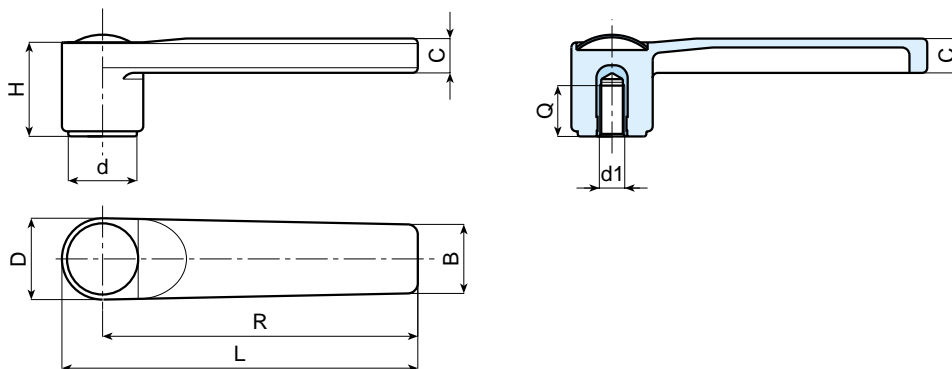
MAIN INSERT:

Brass blind threaded bush.



SPECIAL REQUESTS:

- It is possible to supply the inserts in different materials, on request and for quantities.



Art.	L	R	H	D	c	B	h1	d	d1	Q	Weight (gr)
A148-125 M10	139	125	37	31	13	26	35	27,5	M10	20	78
A148-125 M12	139	125	37	31	13	26	35	27,5	M12	18	84
A148-125 M14	139	125	37	31	13	26	35	27,5	M14	19	90