

ART. A522

INDEXED CLAMPING LEVER WITH THREADED INSERT

MATERIAL:

Special high resistance glass fibre reinforced technopolymer.
Oils and greases resistant.

SURFACE:

Satin.

LEVER BODY AND INSERT COLOUR:

Black (RAL 9011).

MAIN INSERT:

Zinc plated steel blind threaded bush.

FIXING SCREW:

Black-oxide treated screw with head for fitting screwdriver.

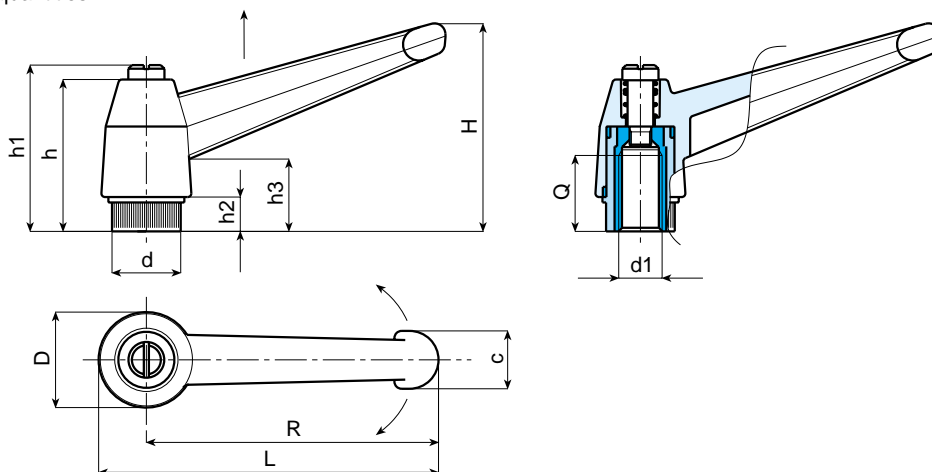
SPRING:

Zinc plated steel spring.



SPECIAL REQUESTS:

- It is possible to supply the inserts in different materials, on request and for quantities.
- It is possible to supply the lever body with colours as shown in the table at page 22, on request and for quantities.



Art.	L	R	H	D	d	c	h	h1	h2	h3	d1	Q	Weight (gr)
A522-43 M04	52	43	33	17	11,5	11	27	30	6	14	M4	10	14
A522-43 M05	52	43	33	17	11,5	11	27	30	6	14	M5	9	14
A522-43 M06	52	43	33	17	11,5	11	27	30	6	14	M6	9	14
A522-65 M06	77	65	45	23	15	13	34	38	8	17	M6	15	28
A522-65 M08	77	65	45	23	15	13	34	38	8	17	M8	15	26
A522-65 M10	77	65	45	23	15	13	34	38	8	17	M10	13	28
A522-83 M08	97	83	57	27	19	16	43	47	10	23	M8	17	52
A522-83 M10	97	83	57	27	19	16	43	47	10	23	M10	17	48
A522-83 M12	97	83	57	27	19	16	43	47	10	23	M12	16	48
A522-104 M10	121	104	70	33	24	19	50	53	11	26	M10	20	114
A522-104 M12	121	104	70	33	24	19	50	53	11	26	M12	22	106
A522-104 M14	121	104	70	33	24	19	50	53	11	26	M14	21	100
A522-104 M16	121	104	70	33	24	19	50	53	11	26	M16	23	100