

# ART. A524

## FIXED LEVER WITH THREADED INSERT

**MATERIAL:**

Reinforced polyamide.  
Oils and greases resistant.

**SURFACE:**

Satin.

**COLOUR:**

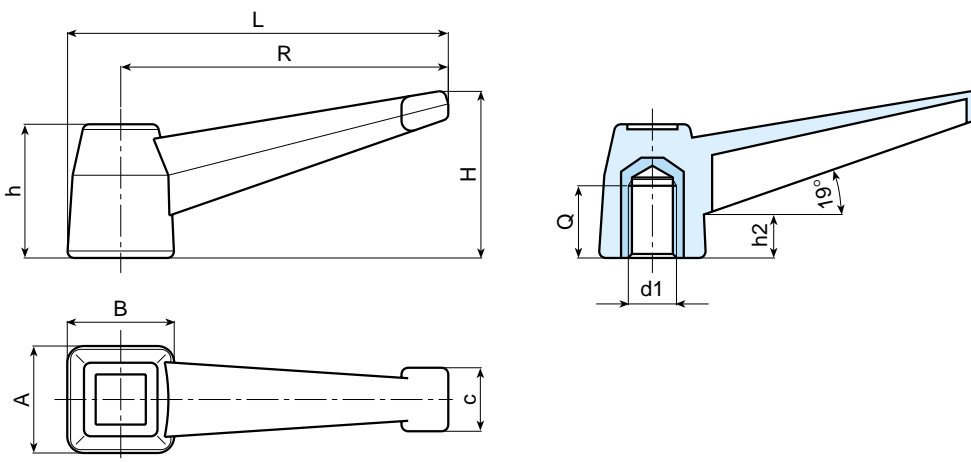
Black (RAL 9011).

**MAIN INSERT:**

Brass blind threaded bush.  
(\* ) Zinc plated steel blind threaded bush.

**SPECIAL REQUESTS:**

- It is possible to supply the inserts in different materials, on request and for quantities.



Art.	L	R	H	A	B	c	h	h2	d1	Q	Weight (gr)
A524-98 M12	112	96	51	32	32	19	40	12	M12	19	64
A524-98 M14	112	96	51	32	32	19	40	12	M14	19	68
A524-98 M16	112	96	51	32	32	19	40	12	(* ) M16	16	80