

ART. A525

FIXED LEVER WITH THREADED STUD

MATERIAL:
Reinforced polyamide.
Oils and greases resistant.

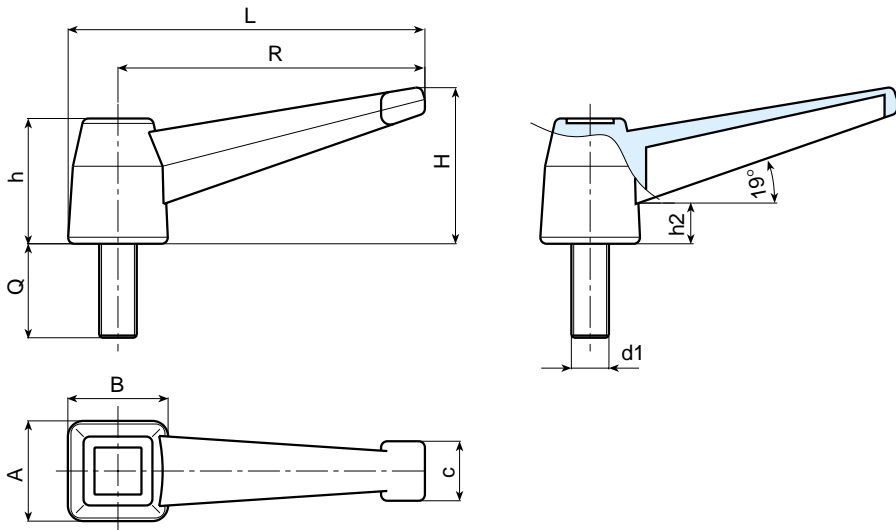
SURFACE:
Satin.

COLOUR:
Black (RAL 9011).

MAIN INSERT:
Zinc plated steel threaded stud.

SPECIAL REQUESTS:

- It is possible to supply the inserts with different lengths, on request and for quantities.
- It is possible to supply the inserts in different materials, on request and for quantities.



Art.	L	R	H	A	B	c	h	h2	d1	Q	Weight (gr)
A525-98 M10	112	96	51	32	32	19	40	12	M10	40	95
A525-98 M12	112	96	51	32	32	19	40	12	M12	20-40	99-113
A525-98 M14	112	96	51	32	32	19	40	12	M14	20-25-40	105-125
A525-98 M16	112	96	51	32	32	19	40	12	M16	30-40	127-141

FIXED AND INDEXED LEVERS