

# ART. A528

## FIXED LEVER WITH THREADED INSERT

**MATERIAL:**

Reinforced polyamide.  
Oils and greases resistant.

**SURFACE:**

Satin.

**COLOUR:**

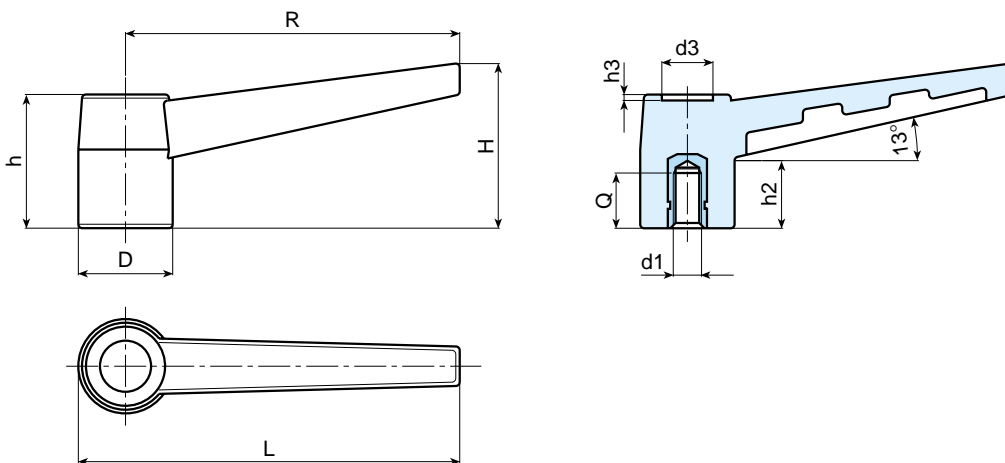
Black (RAL 9011).

**MAIN INSERT:**

Brass blind threaded bush.

**SPECIAL REQUESTS:**

- It is possible to supply the inserts in different materials, on request and for quantities.
- It is possible to supply colours as shown in the table at page 22, on request and for quantities.



Art.	L	R	H	D	h	h2	h3	d3	d1	Q	Weight (gr)
A528-43 M05	50	43	21,5	15	19	9	1	7	M5	10	8
A528-43 M06	50	43	21,5	15	19	9	1	7	M6	10	8
A528-68 M06	78	68	36	21	28,5	11	2	10	M6	10	24
A528-68 M08	78	68	36	21	28,5	11	2	10	M8	15	22
A528-83 M06	93	83	40	24	34	18	2	13	M6	10	30
A528-83 M08	93	83	40	24	34	18	2	13	M8	15	32
A528-83 M10	93	83	40	24	34	18	2	13	M10	14	32