

# ART. B226

## FIXED BRIDGE HANDLE WITH THREADED INSERT

**MATERIAL:**

Reinforced polyamide.  
Oils and greases resistant.

**SURFACE:**

Satin.

**COLOUR:**

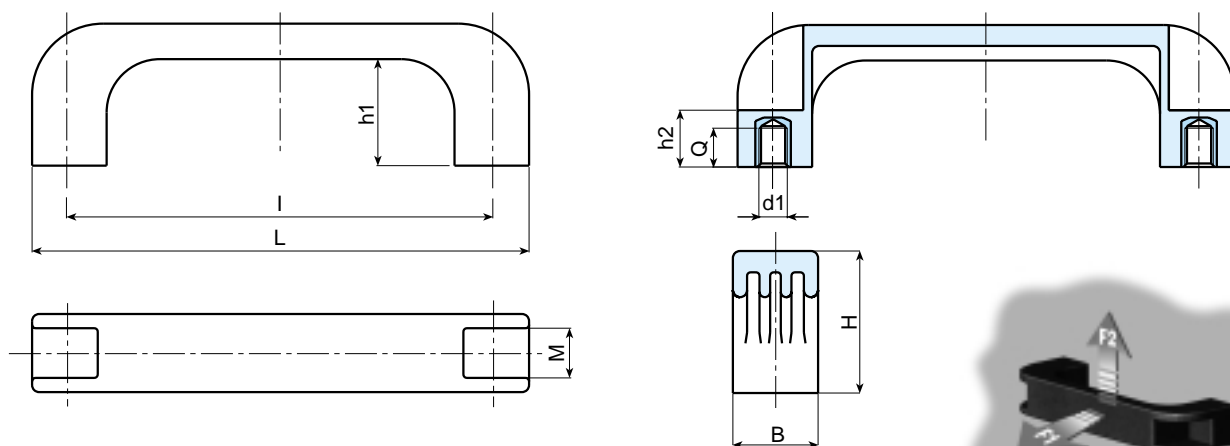
Black (RAL 9011).

**MAIN INSERT:**

Brass blind threaded bush.

**SPECIAL REQUESTS:**

- It is possible to supply the inserts in different materials, on request and for quantities.
- It is possible to supply colours as shown in the table at page 22, on request and for quantities.



Art.	L	I	B	M	H	h1	h2	Q	d1	Weight (gr)	F1 (N)	F2 (N)
B226-94 M5	110	94	21	13	37	29	13	7	M5	23	4300	1300
B226-94 M6	110	94	21	13	37	29	13	7	M6	23	4300	1300
B226-117 M5	140	117	24	13	40	29	15	10	M5	43	4100	2800
B226-117 M6	140	117	24	13	40	29	15	9	M6	43	4100	2800
B226-117 M8	140	117	24	13	40	29	15	9	M8	43	4100	2800
B226-120 M5	140	120	24	14	40	29	15	10	M5	43	6100	2800
B226-120 M6	140	120	24	14	40	29	15	9	M6	43	6100	2800
B226-120 M8	140	120	24	14	40	29	15	9	M8	43	6100	2800
B226-132 M5	151	132	26	14	43	31	16	10	M5	70	7300	3500
B226-132 M6	151	132	26	14	43	31	16	9	M6	70	7300	3500
B226-132 M8	151	132	26	14	43	31	16	9	M8	70	3700	2800
B226-180 M8	200	180	28	17	51	39	21	14	M8	88	3700	2800
B226-235 M8	262	235	32	20	53	40	21	14	M8	123	4300	3200
B226-235 M10	262	235	32	20	53	40	21	14	M10	123	4300	3200

BRIDGE HANDLES