

ART. B236

SOLID BRIDGE HANDLE WITH THREADED INSERT

MATERIAL:

Reinforced polyamide.
Oils and greases resistant.

SURFACE:

Satin.

COLOUR:

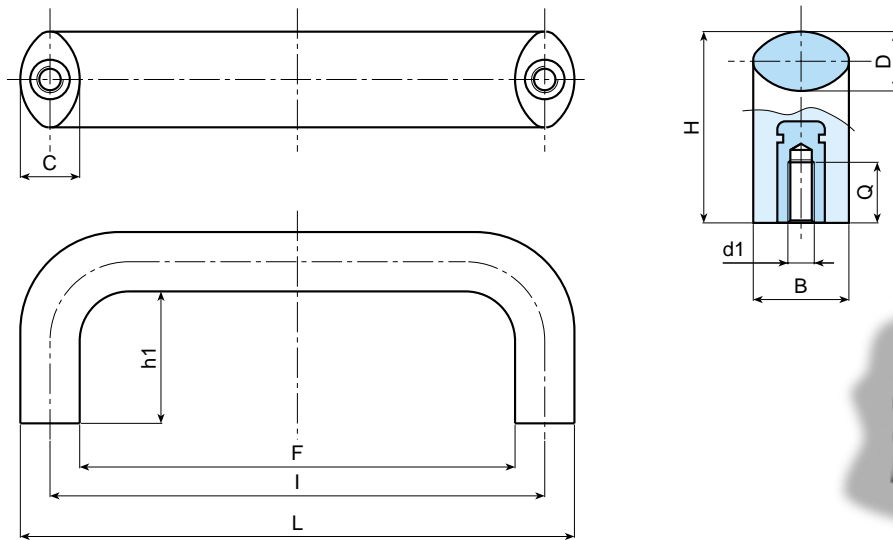
Black (RAL 9011).

MAIN INSERT:

Brass blind threaded bush.

SPECIAL REQUESTS:

- It is possible to supply the inserts in different materials, on request and for quantities.
- It is possible to supply colours as shown in the table at page 22, on request and for quantities.



Art.	L	I	F	B	C	D	H	h1	Q	d1	Weight (gr)	F1 (N)	F2 (N)
B236-86 M5	98,5	86	73,5	20	12,5	12,5	40	28	10	M5	40	4000	1500
B236-86 M6	98,5	86	73,5	20	12,5	12,5	40	28	9	M6	40	4000	1500
B236-94 M5	106,5	94	81,5	20	12,5	12,5	40	28	10	M5	40	3300	1600
B236-94 M6	106,5	94	81,5	20	12,5	12,5	40	28	9	M6	40	3300	1600
B236-117 M5	134	117	102	25	16	16	50	34	10	M5	84	4400	1800
B236-117 M6	134	117	102	25	16	16	50	34	9	M6	81	4400	1800
B236-117 M8	134	117	102	25	16	16	50	34	14	M8	80	4400	1800
B236-120 M5	134	120	102	25	16	16	50	34	10	M5	84	5200	2400
B236-120 M6	134	120	102	25	16	16	50	34	9	M6	81	5200	2400
B236-120 M8	134	120	102	25	16	16	50	34	14	M8	80	5200	2400
B236-132 M5	148	132	116	25	16	16	50	34	10	M5	90	3700	2600
B236-132 M6	148	132	116	25	16	16	50	34	9	M6	88	3700	2600
B236-132 M8	148	132	116	25	16	16	50	34	14	M8	85	3700	2600
B236-150 M6	168	150	132	29	18	18	58	40	15	M6	123	5900	1900
B236-150 M8	168	150	132	29	18	18	58	40	14	M8	121	5900	1900
B236-150 M10	168	150	132	29	18	18	58	40	14	M10	119	5900	1900
B236-179 M8	197	179	161	29	18	18	58	40	14	M8	135	3800	3200
B236-179 M10	197	179	161	29	18	18	58	40	14	M10	133	3800	3200

BRIDGE HANDLES