

ART. C196

SOLID CONTROL HANDWHEEL

MATERIAL:

Reinforced and stabilised polyamide.
Oils and greases resistant.

SURFACE:

Satin.

COLOUR:

Black (RAL 9011).

CENTRAL CAP:

Grey polyamide (RAL 7035 code 13).

ALTERNATIVE CAP COLOUR:

Orange (RAL 2004 cod. 02).

Blue (RAL 5015 cod. 07).

Yellow (RAL 1021 cod.10).

Red (RAL 3000 cod.16).

Green (RAL 6024 cod.17).

Black (RAL 9011 cod. 01).

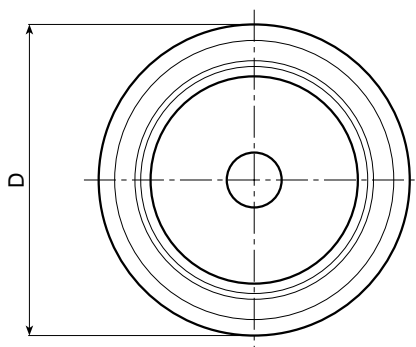
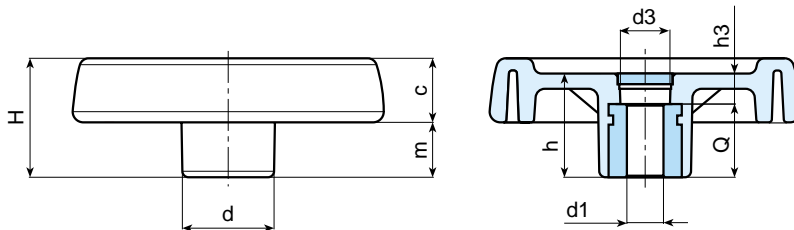
MAIN INSERT:

Zinc plated steel right through bored bush with H7 tolerance.

For fixing systems, or execution of tabs or square holes, please refer to the technical notes attached to the catalogue.

SPECIAL REQUESTS:

- It is possible to supply the inserts with d1 diameter by customer design, on request and for quantities.
- It is possible to supply the inserts in different materials, on request and for quantities.
- It is possible to supply the inserts with different treatment-finishes, on request and for quantities.
- It is possible to supply the complete handwheels with colours as shown in the table at page 22, on request and for quantities.



| Art. | D | H | h | d | m | c | d3 | h3 | d1 H7 | Q | dm | Weight (gr) |
|--------------|-----|----|----|----|------|------|----|----|-------|----|----|-------------|
| C196-80 D05 | 81 | 33 | 29 | 25 | 16 | 17 | 16 | 9 | 5 H9 | 20 | 12 | 100 |
| C196-80 D10 | 81 | 33 | 29 | 25 | 16 | 17 | 16 | 9 | 10 | 20 | 12 | 100 |
| C196-100 D05 | 100 | 39 | 34 | 30 | 18,5 | 20,5 | 16 | 10 | 5 H9 | 24 | 16 | 192 |
| C196-100 D10 | 100 | 39 | 34 | 30 | 18,5 | 20,5 | 16 | 10 | 10 | 24 | 16 | 190 |
| C196-125 D05 | 125 | 44 | 37 | 36 | 20 | 24 | 26 | 13 | 5 H9 | 24 | 18 | 295 |
| C196-125 D12 | 125 | 44 | 37 | 36 | 20 | 24 | 26 | 13 | 12 | 24 | 18 | 290 |
| C196-150 D05 | 150 | 54 | 44 | 38 | 25 | 29 | 26 | 12 | 5 H9 | 32 | 22 | 520 |
| C196-150 D14 | 150 | 54 | 44 | 38 | 25 | 29 | 26 | 12 | 14 | 32 | 22 | 505 |
| C196-175 D05 | 173 | 57 | 47 | 40 | 25,5 | 31,5 | 26 | 15 | 5 H9 | 32 | 22 | 660 |
| C196-175 D16 | 173 | 57 | 47 | 40 | 25,5 | 31,5 | 26 | 15 | 16 | 32 | 22 | 650 |
| C196-200 D05 | 202 | 59 | 49 | 44 | 24 | 35 | 27 | 13 | 5 H9 | 36 | 28 | 870 |
| C196-200 D20 | 202 | 59 | 49 | 44 | 24 | 35 | 27 | 13 | 20 | 36 | 28 | 855 |
| C196-250 D05 | 249 | 68 | 58 | 59 | 29 | 39 | 36 | 22 | 5 H9 | 36 | 28 | 1420 |
| C196-250 D20 | 249 | 68 | 58 | 59 | 29 | 39 | 36 | 22 | 20 | 36 | 28 | 1400 |

It's possible to increase the hole, by boring, until dm.