

ART. C197

SOLID CONTROL HANDWHEEL WITH REVOLVING HANDLE

MATERIAL:

Reinforced and stabilised polyamide.
Oils and greases resistant.

SURFACE:

Satin.

HANDWHEEL AND HANDLE COLOUR:

Black (RAL 9011).

CENTRAL CAP:

Grey polyamide (RAL 7035 code 13).

ALTERNATIVE CAP COLOUR:

Orange (RAL 2004 cod. 02).
Blue (RAL 5015 cod. 07).
Yellow (RAL 1021 cod.10).
Red (RAL 3000 cod.16).
Green (RAL 6024 cod.17).
Black (RAL 9011 cod. 01).

MAIN INSERT:

Zinc plated steel right through bored bush with H7 tolerance.

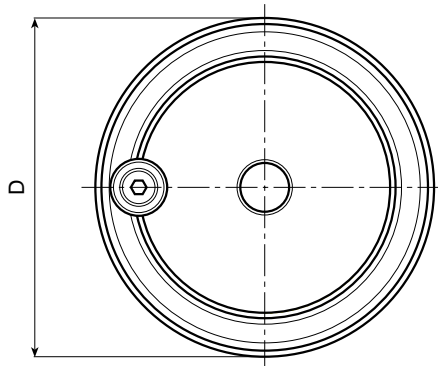
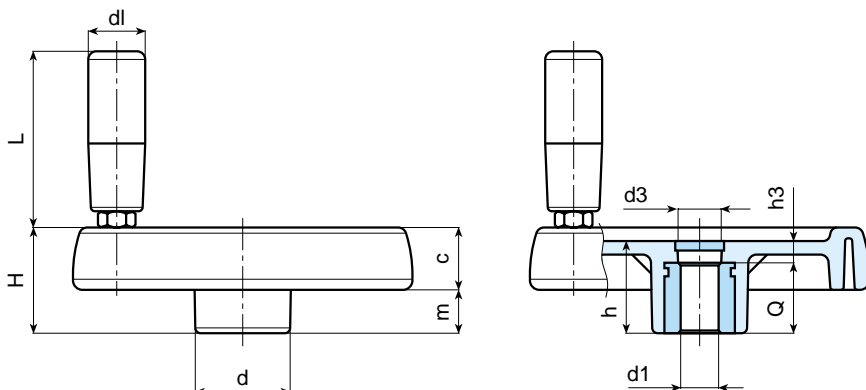
SIDE INSERT:

Brass right through threaded bush.

SIDE HANDLE:

Revolving handle Art. M144
(see chapter M on page 206).

For fixing systems, or execution of tabs square holes, please refer to the technical notes attached to the catalogue.



SPECIAL REQUESTS:

- It is possible to supply the inserts with d1 diameter by customer design, on request and for quantities.
- It is possible to supply the inserts in different materials, on request and for quantities.
- It is possible to supply the inserts with different treatment-finishes, on request and for quantities.
- It is possible to supply the complete handwheels with colours as shown in the table at page 22, on request and for quantities.

Art.	D	H	h	d	m	c	d3	h3	d1 H7	Q	dm	dl	L	Weight (gr)
C197-80 D05	81	33	29	25	16	17	16	9	5 H9	20	12	20	56	130
C197-80 D10	81	33	29	25	16	17	16	9	10	20	12	20	56	130
C197-100 D05	100	39	34	30	18,5	20,5	16	10	5 H9	24	16	20	56	192
C197-100 D10	100	39	34	30	18,5	20,5	16	10	10	24	16	20	56	190
C197-125 D05	125	44	37	36	20	24	26	13	5 H9	24	18	21	65	351
C197-125 D12	125	44	37	36	20	24	26	13	12	24	18	21	65	347
C197-150 D05	150	54	44	38	25	29	26	12	5 H9	32	22	23	76	588
C197-150 D14	150	54	44	38	25	29	26	12	14	32	22	23	76	573
C197-175 D05	173	57	47	40	25,5	31,5	26	15	5 H9	32	22	25	86	770
C197-175 D16	173	57	47	40	25,5	31,5	26	15	16	32	22	25	86	760
C197-200 D05	202	59	49	44	24	35	27	13	5 H9	36	28	25	86	980
C197-200 D20	202	59	49	44	24	35	27	13	20	36	28	25	86	965
C197-250 D05	249	68	58	59	29	39	36	22	5 H9	36	28	25	86	1530
C197-250 D20	249	68	58	59	29	39	36	22	20	36	28	25	86	1510

It's possible to increase the hole, by boring, until dm.