

ART. C199

SOLID CONTROL HANDWHEEL WITH FOLDAWAY REVOLVING HANDLE

MATERIAL:

Reinforced and stabilised polyamide.
Oils and greases resistant.

SURFACE:

Satin.

HANDWHEEL AND HANDLE COLOUR:

Black (RAL 9011).

CENTRAL CAP:

Grey polyamide (RAL 7035 code 13).

MAIN INSERT:

Zinc plated steel right through bored bush with H7 tolerance.

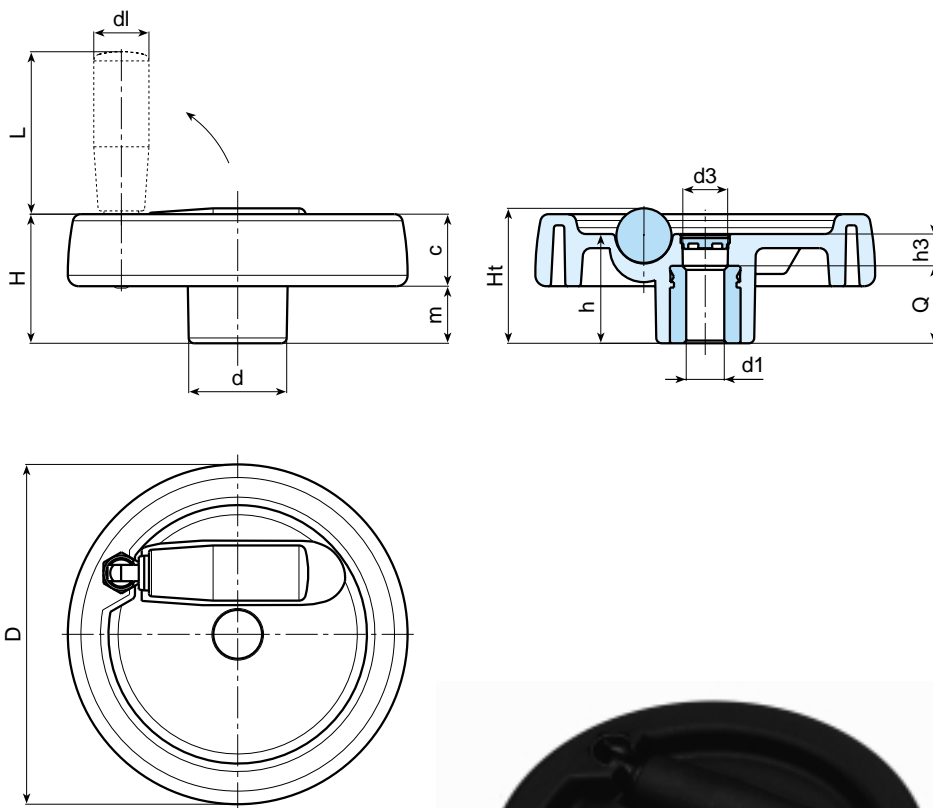
SIDE HANDLE:

Flush, foldaway revolving handle, with hexagonal connection. Reinforced polyamide handle. Black-oxide treated internal mechanism. Fixed with black-oxide treated hexagon socket button head screw ISO 7838.

For fixing systems, or execution of tabs or square holes, please refer to the technical notes attached to the catalogue.

SPECIAL REQUESTS:

- It is possible to supply the inserts with d1 diameter by customer design, on request and for quantities.
- It is possible to supply the inserts in different materials, on request and for quantities.
- It is possible to supply the inserts with different treatment-finishes, on request and for quantities.
- It is possible to supply the complete handwheels with colours as shown in the table at page 22, on request and for quantities.



Art.	D	H	Ht	h	d	m	c	h3	d3	d1 H7	Q	dm	dl	L	Weight (gr)
C199-125 D05	124	48	49,5	40	36	21,5	26,5	16	15	5 H9	24	18	20	38	349
C199-125 D12	124	48	49,5	40	36	21,5	26,5	16	15	12	24	18	20	38	343
C199-150 D05	149	53	-	44	38	24,5	28,5	12	26	5 H9	32	22	20	58	500
C199-150 D14	149	53	-	44	38	24,5	28,5	12	26	14	32	22	20	58	492
C199-175 D05	174	58	-	48	40	24,5	33,5	16	26	5 H9	32	28	26	80	715
C199-175 D16	174	58	-	48	40	24,5	33,5	16	26	16	32	28	26	80	705
C199-200 D05	198	63	-	53	44	24,5	38,5	17	26	5 H9	36	28	27	90	1015
C199-200 D20	198	63	-	53	44	24,5	38,5	17	26	20	36	28	27	90	1000
C199-250 D05	250	67	-	58	60	29	38	22	36	5 H9	36	28	27	90	1500
C199-250 D20	250	67	-	58	60	29	38	22	36	20	36	28	27	90	1485

It's possible to increase the hole, by boring, until dm.