

ART. C980

SOLID CONTROL HANDWHEEL WITH REVOLVING FOLDING HANDLE AND LOCKING HANDWHEEL

MATERIAL:

Reinforced and stabilised polyamide.
Oils and greases resistant.

SURFACE:

Satin.

HANDWHEEL AND HANDLE COLOUR:

Black (RAL 9011).

CENTRAL CAP:

Grey polyamide (RAL 7035 code 13).

MAIN INSERT:

Zinc plated steel right through bored bush with H7 tolerance.

SIDE INSERT:

Brass right through threaded bush.

SIDE HANDLE:

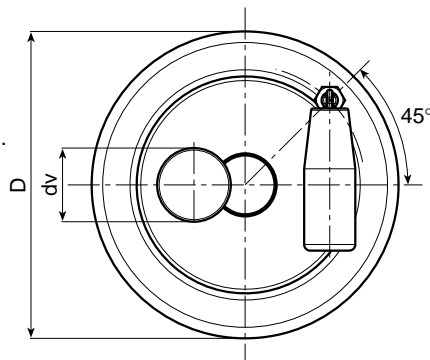
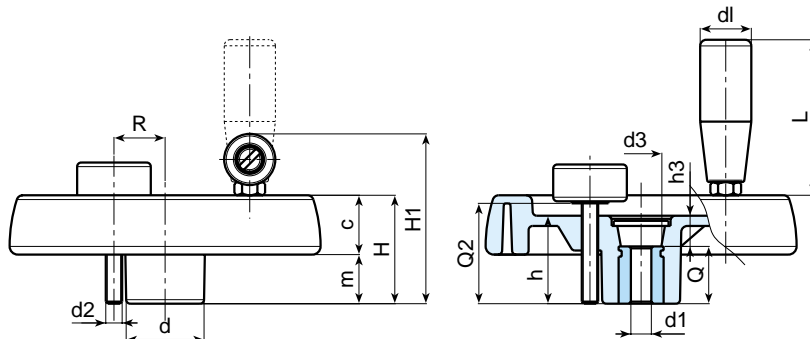
Revolving handle and folding Art. M136 (see chapter M on page 210).

LOCKING HANDWHEEL:

Cylindrical handwheel G793-36 with threaded stud (see chapter G page 136). Black (RAL 9011).

Caution: the R and Q2 dimensions of the handwheel must be chosen by the customer according to the dimensions of the machinery on which it will be installed.

For fixing systems, or execution of tabs or square holes, please refer to the technical notes attached to the catalogue.



SPECIAL REQUESTS:

- It is possible to supply the inserts with d1 diameter by customer design, on request and for quantities.
- It is possible to supply the inserts in different materials, on request and for quantities.
- It is possible to supply the inserts with different treatment-finishes, on request and for quantities.
- It is possible to supply the complete handwheels with colours as shown in the table at page 22, on request and for quantities.

Art.	D	H	H1	h	d	m	c	d3	h3	R	d2	Q2	d1 H7	Q	dm	dl	L	Weight (gr)
C980-100 D05	100	39	63	34	30	18,5	20,5	16	10	20	M6	A.R.	5 H9	24	16	20	56	295
C980-100 D10	100	39	63	34	30	18,5	20,5	16	10	20	M6	A.R.	10	24	16	20	56	292
C980-125 D05	125	44	74	37	36	20	24	26	13	22÷25	M6	A.R.	5 H9	24	18	25	76	420
C980-125 D12	125	44	74	37	36	20	24	26	13	22÷25	M6	A.R.	12	24	18	25	76	415
C980-150 D05	150	54	89	44	38	25	29	26	12	25÷28	M8	A.R.	5 H9	32	22	26	89	730
C980-150 D14	150	54	89	44	38	25	29	26	12	25÷28	M8	A.R.	14	32	22	26	89	725
C980-175 D05	173	57	92	47	40	25,5	31,5	26	15	26÷36	M8	A.R.	5 H9	32	22	26	89	885
C980-175 D16	173	57	92	47	40	25,5	31,5	26	15	26÷36	M8	A.R.	16	32	22	26	89	875
C980-200 D05	202	59	94	49	44	24	35	27	13	28÷42	M8	A.R.	5 H9	36	28	26	97	1100
C980-200 D20	202	59	94	49	44	24	35	27	13	28÷42	M8	A.R.	20	36	28	26	97	1090
C980-250 D05	249	68	100	58	59	29	39	36	22	36÷50	M8	A.R.	5 H9	36	28	26	97	1640
C980-250 D20	249	68	100	58	59	29	39	36	22	36÷50	M8	A.R.	20	36	28	26	97	1627

dv= 36 mm.

It's possible to increase the hole, by boring, until dm.

A.R.= Upon Request.