

ART. D161

TAPERED HANDWHEEL WITH SMOOTH OR THREADED HOLE

MATERIAL:

Reinforced polyamide.
Oils and greases resistant.

SURFACE:

Satin.

HANDWHEEL COLOUR:

Black (RAL 9011).

MAIN INSERT:

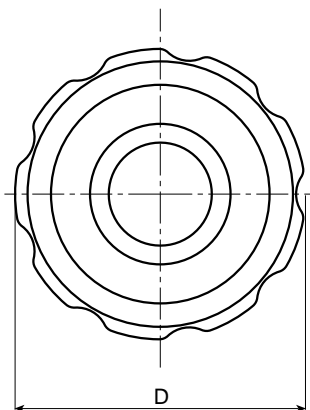
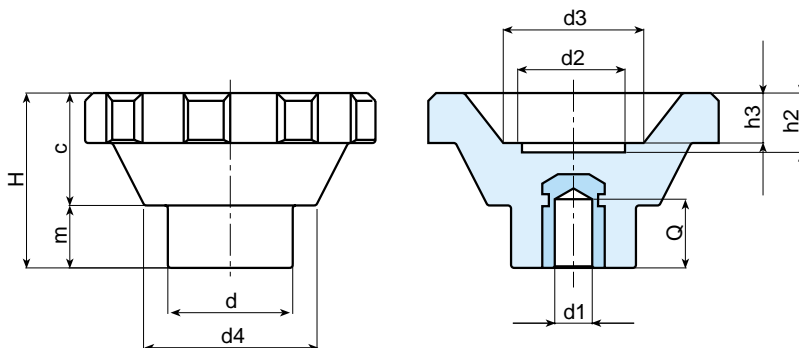
TD Version: Zinc plated steel blind bored bush with H7 tolerance.

TM Version: Zinc plated steel blind threaded bush.

For fixing systems, or execution of tabs or square holes, please refer to the technical notes attached to the catalogue.

SPECIAL REQUESTS:

- It is possible to supply the inserts with d1 diameter by customer design, on request and for quantities.
- It is possible to supply the inserts in different materials, on request and for quantities.
- It is possible to supply the inserts with different treatment-finishes, on request and for quantities.



TD Version with smooth blind hole.

Art.	D	H	d	c	m	d2	d3	d4	h2	h3	d1 H7	Q	dm	Weight (gr)
D161-95 TD05	93	56,5	40	36,5	20	32	45	55,5	20	17	5 H9	27	22	340
D161-95 TD16	93	56,5	40	36,5	20	32	45	55,5	20	17	16	25	22	335

TM Version with threaded blind hole.

Art.	D	H	d	c	m	d2	d3	d4	h2	h3	d1	Q	Weight (gr)
D161-95 TM12	93	56,5	40	36,5	20	32	45	55,5	20	17	M12	25	338

It's possible to increase the hole, by boring, until dm.