

ART. D205

TWO SPOKE CONTROL HANDWHEEL

MATERIAL:

Reinforced and stabilised polyamide.
Oils and greases resistant.

SURFACE:

Satin.

HANDWHEEL COLOUR:

Black (RAL 9011).

CENTRAL CAP:

Grey polyamide (RAL 7035 code 13).

ALTERNATIVE CAP COLOUR:

Orange (RAL 2004 code 02).
Blue (RAL 5015 code 07).
Yellow (RAL 1021 code 10).
Red (RAL 3000 code 16).
Green (RAL 6024 code 17).
Black (RAL 9011 code 01).

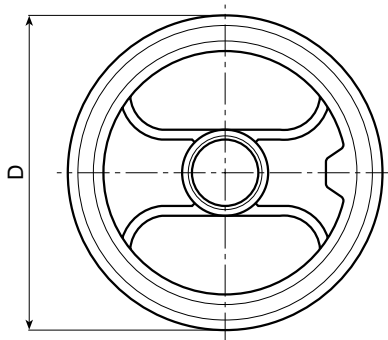
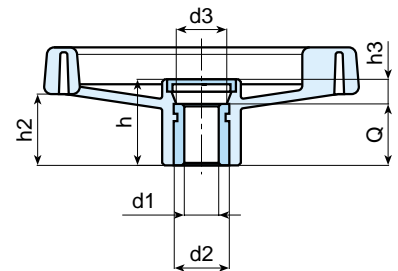
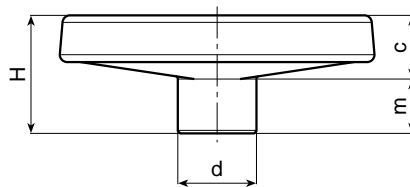
MAIN INSERT:

Zinc plated steel right through bored bush
with H7 tolerance.

HUB:

Solid hub.

(*) Hollow underneath hub.



For fixing systems, or execution of tabs
or square holes, please refer to the technical notes
attached to the catalogue.

SPECIAL REQUESTS:

- It is possible to supply the inserts with d1 diameter by customer design, on request and for quantities.
- It is possible to supply the inserts with threaded d1 diameter, on request and for quantities.
- It is possible to supply the inserts in different materials, on request and for quantities.
- It is possible to supply the inserts with different treatment-finishes, on request and for quantities.
- It is possible to supply the complete handwheels with colours as shown in the table at page 22, on request and for quantities.



Art.	D	H	h	d	m	c	h2	h3	d3	d1 H7	Q	dm	Weight (gr)
D205-80 D05	80	34	26	24,5	16	18	20	6	16	5 H9	20	12	94
D205-80 D10	80	34	26	24,5	16	18	20	6	16	10	20	12	92
D205-100 D05	99	43	33	28	20	23	26,5	9	16	5 H9	24	16	152
D205-100 D10	99	43	33	28	20	23	26,5	9	16	10	24	16	150
D205-130 D05	129	50	36	32	21	29	32	12	26	5 H9	24	18	240
D205-130 D12	129	50	36	32	21	29	32	12	26	12	24	18	237
D205-160 D05	159	57	40,5	40	22	35	34	8,5	26	5 H9	32	22	390
D205-160 D14	159	57	40,5	40	22	35	34	8,5	26	14	32	22	385
D205-200 D05	198	61,5	39,5	51	17,5	44	33	7,5	26	(*) 5 H9	32	22	630
D205-200 D16	198	61,5	39,5	51	17,5	44	33	7,5	26	(*) 16	32	22	624
D205-250 D05	252	70	47	55,5	24	46	39	11	24	(*) 5 H9	36	28	920
D205-250 D20	252	70	47	55,5	24	46	39	11	24	(*) 20	36	28	910
D205-350 D05	346	80	49,5	67,5	24	56	43,5	17,5	35	(*) 5 H9	32	30	1530
D205-350 D20	346	80	49,5	67,5	24	56	43,5	17,5	35	(*) 20	32	30	1520

It's possible to increase the hole, by boring, until dm.