

ART. D207

TWO SPOKE CONTROL HANDWHEEL WITH FOLDAWAY REVOLVING HANDLE

MATERIAL:

Reinforced and stabilised polyamide.
Oils and greases resistant.

SURFACE:

Satin.

HANDWHEEL AND HANDLE COLOUR:

Black (RAL 9011).

CENTRAL CAP:

Grey polyamide (RAL 7035 code 13).

ALTERNATIVE CAP COLOUR:

- Orange (RAL 2004 code 02).
- Blue (RAL 5015 code 07).
- Yellow (RAL 1021 code 10).
- Red (RAL 3000 code 16).
- Green (RAL 6024 code 17).
- Black (RAL 9011 code 01).

MAIN INSERT:

Zinc plated steel right through bored bush with H7 tolerance.

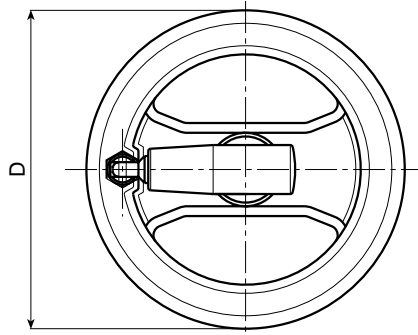
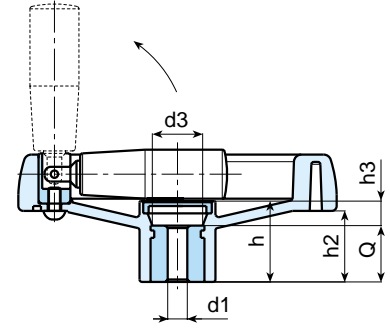
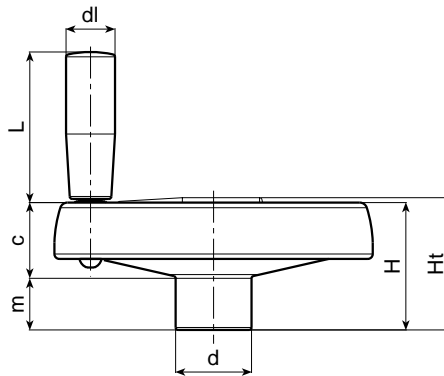
SIDE HANDLE:

Flush, foldaway revolving handle, with hexagonal connection. Reinforced polyamide. Black-oxide treated internal mechanism. Fixed with black-oxide treated hexagon socket button head screw ISO 7838.

HUB:

Solid hub.

For fixing systems, or execution of tabs or square holes, please refer to the technical notes attached to the catalogue.



SPECIAL REQUESTS:

- It is possible to supply the inserts with d1 diameter by customer design, on request and for quantities.
- It is possible to supply the inserts with threaded d1 diameter, on request and for quantities.
- It is possible to supply the inserts in different materials, on request and for quantities.
- It is possible to supply the inserts with different treatment-finishes, on request and for quantities.
- It is possible to supply the complete handwheels with colours as shown in the table at page 22, on request and for quantities.

Art.	D	H	Ht	h	d	m	c	h2	h3	d3	d1 H7	Q	dm	dl	L	Weight (gr)
D207-130 D05	129	53	55	32	32	22	31	30	12	26	5 H9	20	18	20	58	300
D207-130 D12	129	53	55	32	32	22	31	30	12	26	12	20	18	20	58	297
D207-160 D05	159	55	59	33,5	40	20,5	34,5	31	9,5	26	5 H9	24	22	25	71	450
D207-160 D14	159	55	59	33,5	40	20,5	34,5	31	9,5	26	14	24	22	25	71	445
D207-350 D05	346	80	86	49,5	67,5	24	56	43,5	17,5	35	5 H9	32	30	40	64	1650
D207-350 D20	346	80	86	49,5	67,5	24	56	43,5	17,5	35	20	32	30	40	64	1640

It's possible to increase the hole, by boring, until **dm**.

CONTROL HANDWHEELS