

ART. D214

THREE ARM CONTROL HANDWHEEL WITH SMOOTH OR THREADED HOLE

MATERIAL:

Reinforced polyamide.
Oils and greases resistant.

SURFACE:

Satin.

HANDWHEEL COLOUR:

Black (RAL 9011).

CENTRAL CAP:

Grey polyamide (RAL 7035 code 13).

ALTERNATIVE CAP COLOUR:

Orange (RAL 2004 code 02).

Blue (RAL 5015 code 07).

Yellow (RAL 1021 code 10).

Red (RAL 3000 code 16).

Green (RAL 6024 code 17).

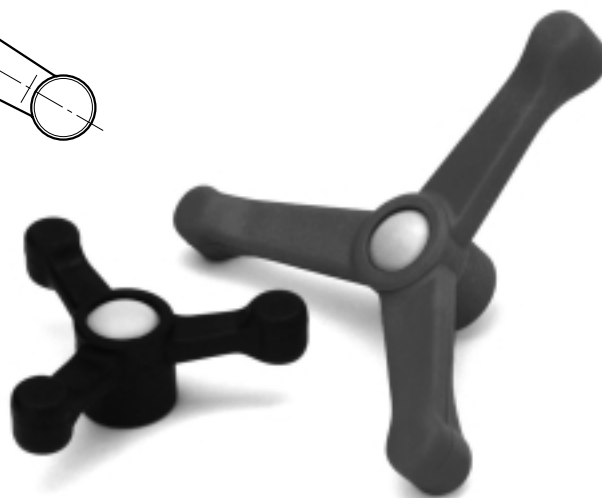
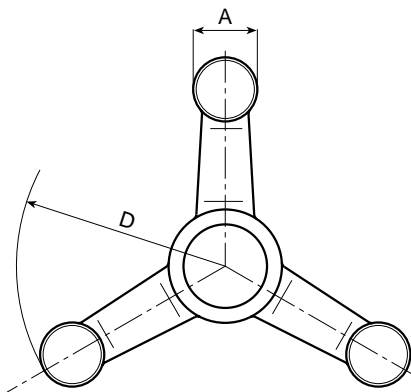
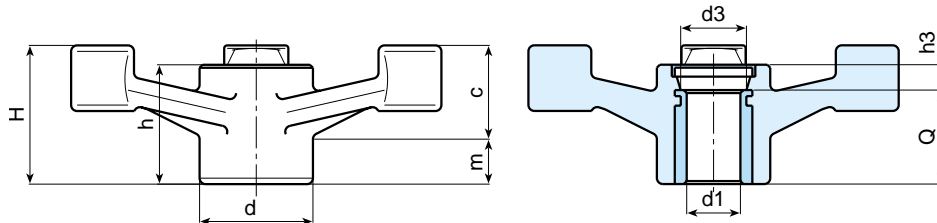
Black (RAL 9011 code 01).

MAIN INSERT:

TD Version: Zinc plated steel right through bored bush with H7 tolerance.

TM Version: Zinc plated steel right through threaded bush.

For fixing systems, or execution of tabs or square holes, please refer to the technical notes attached to the catalogue.



SPECIAL REQUESTS:

- It is possible to supply the inserts with d1 diameter by customer design, on request and for quantities.
- It is possible to supply the inserts with threaded d1 diameter, on request and for quantities.
- It is possible to supply the inserts in different materials, on request and for quantities.
- It is possible to supply the inserts with different treatment-finishes, on request and for quantities.
- It is possible to supply the complete handwheel in orange (RAL 2004 cod. 02), on request and for quantities.

TD Version with smooth through hole.

Art.	D	H	h	d	m	c	A	h3	d3	d1 H7	Q	dm	Weight (gr)
D214-140 TD05	137	45	39,5	38	19	26	22	7,5	26	5 H9	32	22	200
D214-140 TD12	137	45	39,5	38	19	26	22	7,5	26	12	32	22	195
D214-180 TD05	177	56	42,5	38	20	35	23	10,5	26	5 H9	32	22	280
D214-180 TD18	177	56	42,5	38	20	35	23	10,5	26	18	32	22	270
D214-220 TD05	221	61	46	38	22	39	25	14	26	5 H9	32	22	340
D214-220 TD18	221	61	46	38	22	39	25	14	26	18	32	22	330

It's possible to increase the hole, by boring, until **dm**.

TM Version with threaded through hole.

Art.	D	H	h	d	m	c	A	h3	d3	d1	Q	dm	Weight (gr)
D214-140 TM12	137	45	39,5	38	19	26	22	7,5	26	M12	32	22	197
D214-140 TM14	137	45	39,5	38	19	26	22	7,5	26	M14	32	22	195
D214-140 TM16	137	45	39,5	38	19	26	22	7,5	26	M16	32	22	193
D214-180 TM16	177	56	42,5	38	20	35	23	10,5	26	M16	32	22	275
D214-180 TM18	177	56	42,5	38	20	35	23	10,5	26	M18	32	22	270
D214-220 TM14	221	61	46	38	22	39	25	14	26	M14	32	22	335
D214-220 TM16	221	61	46	38	22	39	25	14	26	M16	32	22	333
D214-220 TM18	221	61	46	38	22	39	25	14	26	M18	32	22	330