

ART. E218

CRANK HANDLE WITH THREADED INSERT AND REVOLVING AND FOLDING HANDLE

MATERIAL:

Reinforced polyamide.
Oils and greases resistant.

SURFACE:

Satin.

COLOUR:

Black (RAL 9011).

MAIN INSERT:

Brass blind threaded bush.
(*) Zinc plated steel blind threaded bush.

SIDE INSERT:

Brass right through threaded bush.

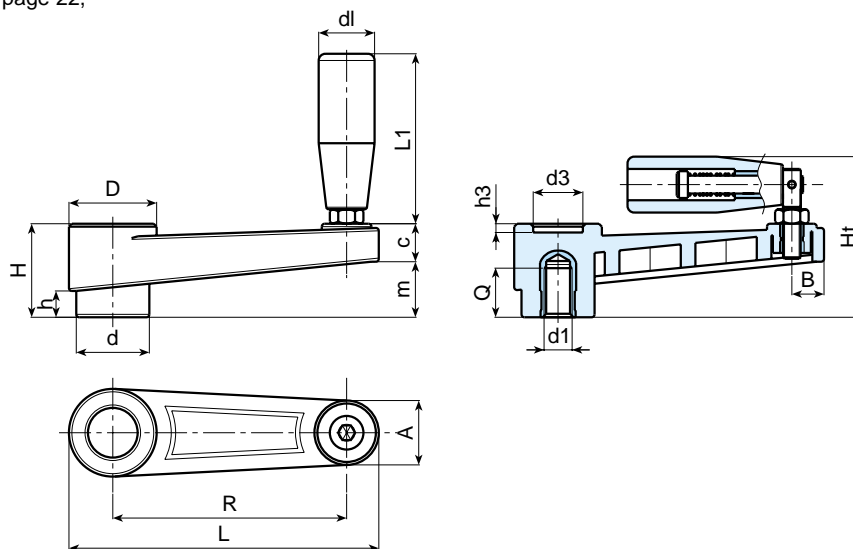
SIDE HANDLE:

Revolving handle and folding Art. M136
(see chapter M on page 210).



SPECIAL REQUESTS:

- It is possible to supply the inserts in different materials, on request and for quantities.
- It is possible to supply arm and handle with colours as shown in the table at page 22, on request and for quantities.



Art.	L	R	H	Ht	D	d	m	c	A	B	h	d3	h3	d1	Q	dl	L1	Weight (gr)
E218-65 M08	88	65	30	54	26	22	17	13	18	9,5	8	15	3	M08	15	20	54	78
E218-65 M10	88	65	30	54	26	22	17	13	18	9,5	8	15	3	M10	15	20	54	78
E218-65 M12	88	65	30	54	26	22	17	13	18	9,5	8	15	3	M12	18	20	54	83
E218-80 M08	106	80	33	57	30	26	19	13	21,5	11	9	17	3	M08	18	20	54	94
E218-80 M10	106	80	33	57	30	26	19	13	21,5	11	9	17	3	M10	18	20	54	95
E218-80 M12	106	80	33	57	30	26	19	13	21,5	11	9	17	3	M12	18	20	54	100
E218-110 M10	138	110	39	67,5	33	28,5	22	14	22	12	11	21	3,5	M10	16	25	75	156
E218-110 M12	138	110	39	67,5	33	28,5	22	14	22	12	11	21	3,5	M12	18	25	75	156
E218-110 M14	138	110	39	67,5	33	28,5	22	14	22	12	11	21	3,5	M14	18	25	75	156
E218-140 M12	173	140	49	82	43	35	34	16	25,5	13,5	15	27	3	M12	19	26	89	274
E218-140 M14	173	140	49	82	43	35	34	16	25,5	13,5	15	27	3	M14	18	26	89	283
E218-140 M16	173	140	49	82	43	35	34	16	25,5	13,5	15	27	3	M16 (*)	18	26	89	290
E218-185 M12	219	180	54	88	46	39	40	16,5	26,5	14	16,5	27,5	4	M12	17	26	97	340
E218-185 M14	219	180	54	88	46	39	40	16,5	26,5	14	16,5	27,5	4	M14	19	26	97	345
E218-185 M16	219	180	54	88	46	39	40	16,5	26,5	14	16,5	27,5	4	M16 (*)	18	26	97	360