

ART. F177 CIN

6-LOBE HANDWHEEL WITH STAINLESS STEEL THREADED THROUGH FEMALE INSERT

INOX

MATERIAL:

Reinforced polyamide.
Oils and greases resistant.

SURFACE:

Satin.

COLOUR:

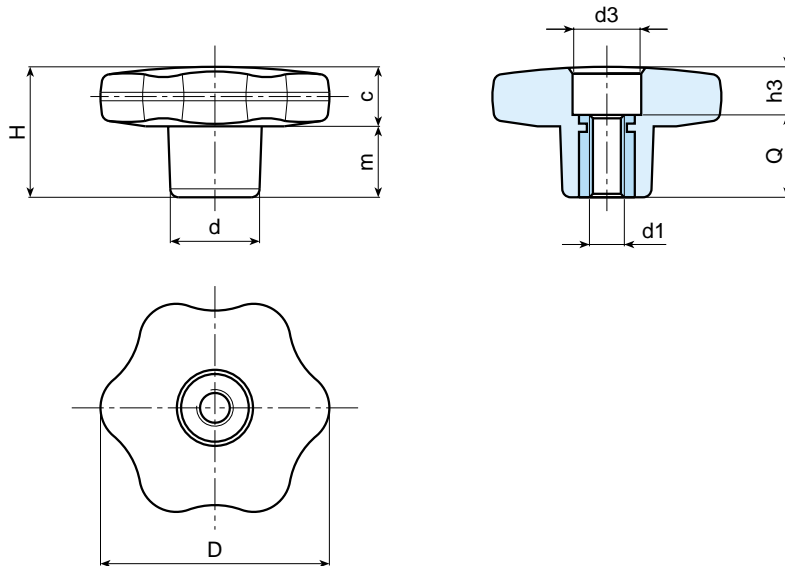
Black (RAL 9011).

MAIN INSERT:

Stainless steel right through threaded bush (AISI 303).

SPECIAL REQUESTS:

- It is possible to supply colours as shown in the table at page 22, on request and for quantities.



Art.	D	H	d	c	m	d3	h3	Q	d1	Weight (gr)
F177-30 M05 CIN	30	22	15	11	11	11	4	18	M5	14
F177-30 M06 CIN	30	22	15	11	11	11	4	18	M6	15
F177-30 M08 CIN	30	22	15	11	11	11	4	18	M8	14
F177-40 M06 CIN	40	24,5	17	12	12,5	12	6	18	M6	22
F177-40 M08 CIN	40	24,5	17	12	12,5	12	6	18	M8	21
F177-40 M10 CIN	40	24,5	17	12	12,5	12	6	18	M10	20
F177-50 M08 CIN	50	29	20	14	15	14	11	18	M8	37
F177-50 M10 CIN	50	29	20	14	15	14	11	18	M10	36
F177-50 M12 CIN	50	29	20	14	15	14	11	18	M12	36
F177-60 M10 CIN	60	34	24	16	18	15	16	18	M10	59
F177-60 M12 CIN	60	34	24	16	18	15	16	18	M12	59

SOLID LOCKING HANDWHEELS