

ART. F186

CROSS HANDWHEEL WITH THREADED FEMALE INSERT

MATERIAL:

Reinforced polyamide.
Oils and greases resistant.

SURFACE:

Satin.

COLOUR:

Black (RAL 9011).

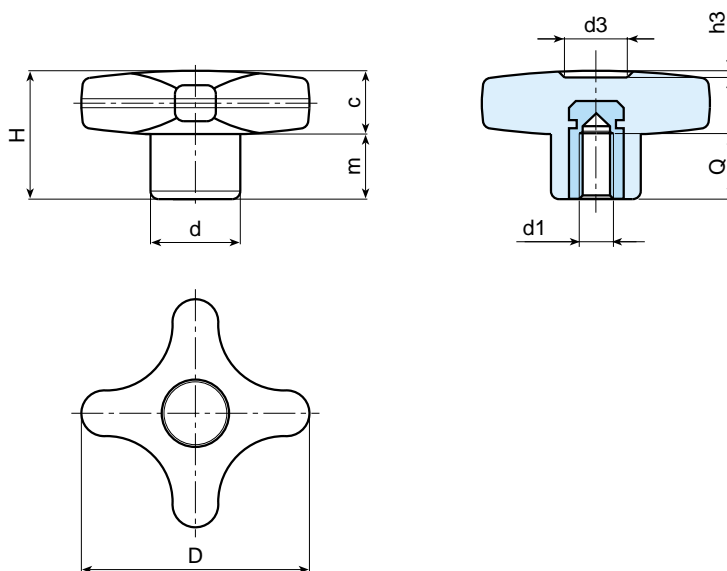
MAIN INSERT:

Brass blind threaded bush.



SPECIAL REQUESTS:

- It is possible to supply the inserts in different materials, on request and for quantities.
- It is possible to supply colours as shown in the table at page 22, on request and for quantities.



Art.	D	H	d	c	m	d3	h3	Q	d1	Weight (gr)
F186-32 M04	32	23	15	11	12	11	1,5	7	M4	11
F186-32 M05	32	23	15	11	12	11	1,5	14	M5	11,5
F186-32 M06	32	23	15	11	12	11	1,5	10	M6	12
F186-32 M08	32	23	15	11	12	11	1,5	14	M8	12,5
F186-32 M10	32	23	15	11	12	11	1,5	14	M10	13
F186-40 M05	40	24,5	16	12	12,5	13	1,5	14	M5	14
F186-40 M06	40	24,5	16	12	12,5	13	1,5	16	M6	15
F186-40 M08	40	24,5	16	12	12,5	13	1,5	14	M8	16
F186-40 M10	40	24,5	16	12	12,5	13	1,5	14	M10	17
F186-50 M06	50	29	20	14	15	14	2	16	M6	25
F186-50 M08	50	29	20	14	15	14	2	14	M8	26
F186-50 M10	50	29	20	14	15	14	2	14	M10	27
F186-50 M12	50	29	20	14	15	14	2	18	M12	29
F186-60 M08	60	34	24	15,5	18,5	18	2	19	M8	40
F186-60 M10	60	34	24	15,5	18,5	18	2	21	M10	43
F186-60 M12	60	34	24	15,5	18,5	18	2	18	M12	44
F186-60 M14	60	34	24	15,5	18,5	18	2	19	M14	47