

ART. F187

CROSS HANDWHEEL WITH SMOOTH HOLE

MATERIAL:

Reinforced polyamide.
Oils and greases resistant.

SURFACE:

Satin.

COLOUR:

Black (RAL 9011).

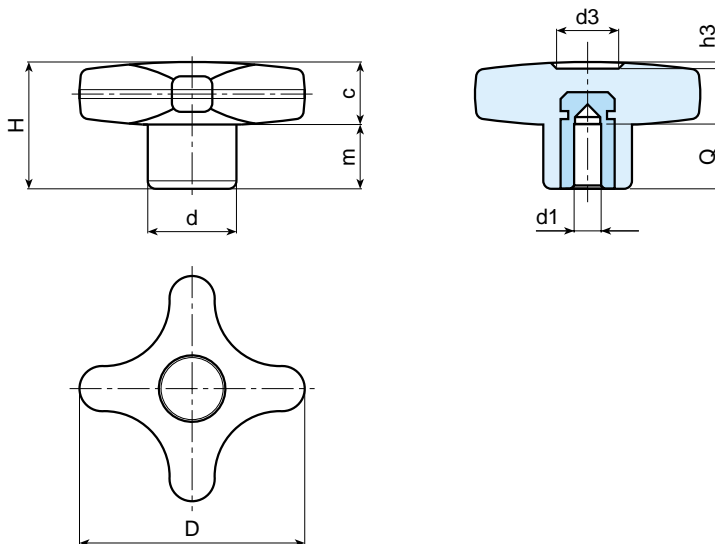
MAIN INSERT:

Brass blind bored bush with H7 tolerance.
(*) Zinc plated steel blind bored bush with H7 tolerance.



SPECIAL REQUESTS:

- It is possible to supply the inserts with d1 diameter by customer design, on request and for quantities.
- It is possible to supply the inserts in different materials, on request and for quantities.
- It is possible to supply colours as shown in the table at page 22, on request and for quantities.



Art.	D	H	d	c	m	d3	h3	Q	d1 H7	Weight (gr)
F187-32 D06	32	23	15	11	12	11	1,5	15	06	13
F187-32 D08	32	23	15	11	12	11	1,5	15	08	14
F187-40 D06	40	24,5	16	12	12,5	13	1,5	15	06	18
F187-40 D08	40	24,5	16	12	12,5	13	1,5	15	08	21
F187-40 D10	40	24,5	16	12	12,5	13	1,5	17	10	20
F187-50 D06	50	29	20	14	15	14	2	15	06	29
F187-50 D08	50	29	20	14	15	14	2	15	08	31
F187-50 D10	50	29	20	14	15	14	2	17	10	32
F187-60 D08	60	34	24	15,5	18,5	18	2	18	(*) 08	70
F187-60 D10	60	34	24	15,5	18,5	18	2	25	(*) 10	65
F187-60 D12	60	34	24	15,5	18,5	18	2	22	(*) 12	60