

ART. G650

6-LOBE HANDWHEEL WITH PLUG AND THREADED INSERT

MATERIAL:

Reinforced polyamide.
Oils and greases resistant.

SURFACE:

Satin.

COLOUR:

Black (RAL 9011).

CENTRAL CAP:

Grey polyamide (RAL 7035 code 13).

ALTERNATIVE CAP COLOUR:

Orange (RAL 2004 cod. 02).
Blue (RAL 5015 cod. 07).
Yellow (RAL 1021 cod.10).
Red (RAL 3000 cod.16).
Green (RAL 6024 cod.17).
Black (RAL 9011 cod. 01).

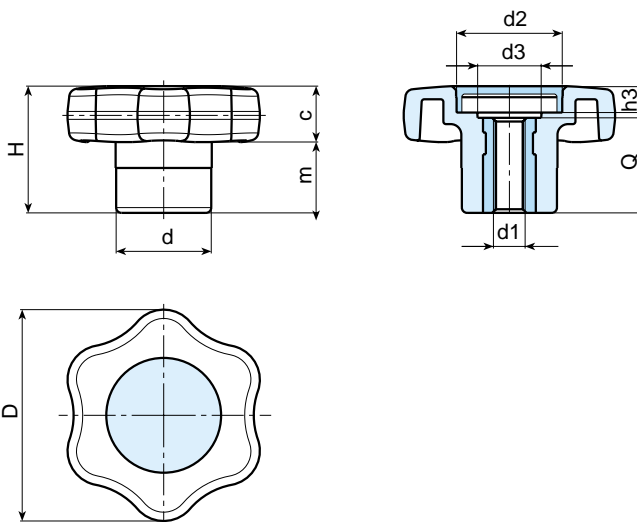
MAIN INSERT:

Brass right through threaded bush.



SPECIAL REQUESTS:

- It is possible to supply the inserts in different materials, on request and for quantities.
- It is possible to supply the handwheel with colours as shown in the table at page 22, on request and for quantities.



PAD PRINTING SERVICE:

- Upon request and for special quantities caps can be supplied with customized pad printing.



Art.	D	H	d	m	c	d2	d3	h3	d1	Q	Weight (gr)
G650-40 M06	40	24	18	10,5	13,5	20	13	6	M6	18	18
G650-40 M08	40	24	18	10,5	13,5	20	13	6	M8	18	19
G650-40 M10	40	24	18	10,5	13,5	20	13	6	M10	18	20

The extension of the range with the addition of diameters 50-60 is planned for the end of 2005.

EUROMODEL

JenCan

01454.321171

01454.320897