

ART. G730

4-LOBE HANDWHEEL WITH THREADED INSERT

MATERIAL:

Reinforced polyamide.
Oils and greases resistant.

SURFACE:

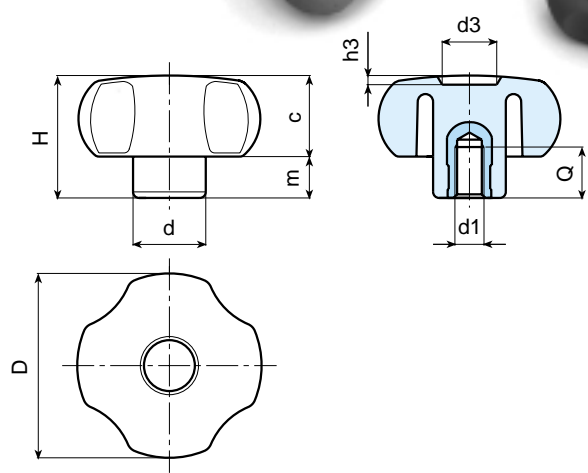
Satin.

COLOUR:

Black (RAL 9011).

MAIN INSERT:

Brass blind threaded bush.
(*) Zinc plated steel blind threaded bush.



SPECIAL REQUESTS:

- It is possible to supply the inserts in different materials, on request and for quantities.
- It is possible to supply colours as shown in the table at page 22, on request and for quantities.

Art.	D	H	d	c	m	d3	h3	d1	Q	Weight (gr)
G730-20 M04	21	14	11	8,5	5,5	8	1,5	M04	13	5
G730-20 M05	21	14	11	8,5	5,5	8	1,5	M05	13	5
G730-20 M06	21	14	11	8,5	5,5	8	1,5	M06	13	5
G730-25 M04	26	16	12	10	6	10	1,5	M04	7	6
G730-25 M05	26	16	12	10	6	10	1,5	M05	7	6
G730-25 M06	26	16	12	10	6	10	1,5	M06	7	7
G730-25 M08	26	16	12	10	6	10	1,5	M08	7	8
G730-30 M05	30	23	15	13,5	9,5	12	2	M05	13	12
G730-30 M06	30	23	15	13,5	9,5	12	2	M06	10	12
G730-30 M08	30	23	15	13,5	9,5	12	2	M08	16	14
G730-30 M10	30	23	15	13,5	9,5	12	2	M10	16	14
G730-40 M05	40,5	29,5	15,5	18,5	11	12	3	M05	13	21
G730-40 M06	40,5	29,5	15,5	18,5	11	12	3	M06	10	21
G730-40 M08	40,5	27,5	15	18,5	11	12	3	M08	14	22
G730-40 M10	40,5	29,5	17,5	18,5	11	12	3	M10	13	26
G730-40 M12	40,5	29,5	21	18,5	11	12	3	M12	11	30
G730-50 M06	52	32,5	20,5	21,5	11	14,5	2,5	M06	10	35
G730-50 M08	52	32,5	20,5	21,5	11	14,5	2,5	M08	14	42
G730-50 M10	52	32,5	20,5	21,5	11	14,5	2,5	M10	13	43
G730-50 M12	52	32,5	20,5	21,5	11	14,5	2,5	M12	17	48
G730-60 M08	59	40	23	25	15	24	4	M08	15	60
G730-60 M10	59	40	23	25	15	24	4	M10	14	62
G730-60 M12	59	40	23	25	15	24	4	M12	18	67
G730-60 M14	59	40	23	25	15	24	4	M14	19	70
G730-60 M16	59	40	23	25	15	24	4	(*) M16	17	82
G730-80 M10	79	41	30	24	17	21	3	M10	14	88
G730-80 M12	79	41	30	24	17	21	3	M12	16	88
G730-80 M14	79	41	30	24	17	21	3	M14	19	97
G730-80 M16	79	41	30	24	17	21	3	(*) M16	17	109
G730-80 M20	79	41	30	24	17	21	3	(*) M20	16	115