

4-LOBE HANDWHEEL WITH THREADED STUD

MATERIAL:

Reinforced polyamide.
Oils and greases resistant.

SURFACE:

Satin.

COLOUR:

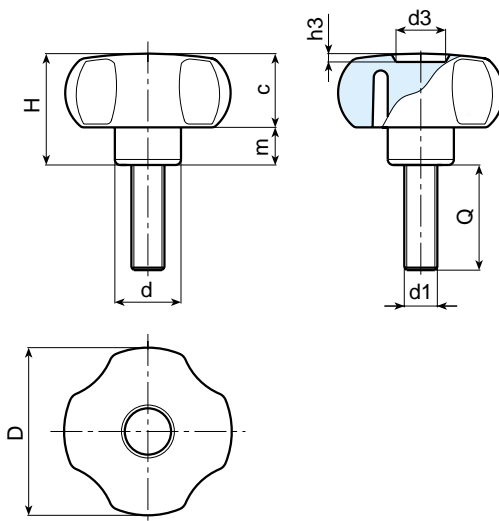
Black (RAL 9011).

MAIN INSERT:

Zinc plated steel threaded stud.

SPECIAL REQUESTS:

- It is possible to supply the inserts with different lengths, on request and for quantities.
- It is possible to supply the inserts in different materials, on request and for quantities.
- It is possible to supply colours as shown in the table at page 22, on request and for quantities.



Art.	D	H	d	c	m	d3	h3	d1	Q	Weight (gr)
G732-20 M04	21	14	11	8,5	5,5	8	1,5	M04	10-16-20-30	4-4,5-5-6
G732-20 M05	21	14	11	8,5	5,5	8	1,5	M05	10-16-20-30	6-6,5-7-8
G732-20 M06	21	14	11	8,5	5,5	8	1,5	M06	10-16-20-30-40	6,5-7,5-8-9,5-11
G732-25 M04	26	16	12	10	6	10	1,5	M04	10-16-20-30	6-6-7-8
G732-25 M05	26	16	12	10	6	10	1,5	M05	10-16-20-30-40	8-8,5-9-10-11
G732-25 M06	26	16	12	10	6	10	1,5	M06	10-16-20-30-40	10-11-13-15-16
G732-25 M08	26	16	12	10	6	10	1,5	M08	16-20-30-40	14-16-20-24
G732-30 M05	30	23	15	13,5	9,5	12	2	M05	10-16-20-30-40	12-13-13-14-15
G732-30 M06	30	23	15	13,5	9,5	12	2	M06	16-20-30-40-50	15-16-18-20-22
G732-30 M08	30	23	15	13,5	9,5	12	2	M08	16-20-30-40-50	20-22-25-28-31
G732-30 M10	30	23	15	13,5	9,5	12	2	M10	20-30-40-50-60	25-30-36-43-49
G732-40 M06	40,5	29,5	15,5	18,5	11	12	3	M06	16-20-30-40-50	24-26-28-30-32
G732-40 M08	40,5	29,5	15	18,5	11	12	3	M08	16-20-30-40-50	28-31-34-37-40
G732-40 M10	40,5	29,5	17	18,5	11	12	3	M10	16-20-30-40-50-60	35-38-43-48-53-59
G732-40 M12	40,5	29,5	21	18,5	11	12	3	M12	20-30-40	47-54-61
G732-50 M06	52	32,5	20,5	21,5	11	14,5	2,5	M06	16-20-30-40-50	42-43-45-47-49
G732-50 M08	52	32,5	20,5	21,5	11	14,5	2,5	M08	16-20-30-40-50-60	49-51-54-57-60-64
G732-50 M10	52	32,5	20,5	21,5	11	14,5	2,5	M10	16-20-30-40-50-60	55-58-63-68-72-77
G732-50 M12	52	32,5	20,5	21,5	11	14,5	2,5	M12	20-30-40-50-60	70-77-83-90-97
G732-60 M08	59	40	23	25	15	24	4	M08	16-20-30-40-50-60	73-76-79-81-85
G732-60 M10	59	40	23	25	15	24	4	M10	16-20-30-40-50-60	77-79-84-89-94-100
G732-60 M12	59	40	23	25	15	24	4	M12	20-30-40-50-60	91-97-104-111-119
G732-60 M14	59	40	23	25	15	24	4	M14	30-40-50	111-123-132
G732-80 M10	79	41	30	24	17	21	3	M10	20-30-40-50-60	100-105-110-115-120
G732-80 M12	79	41	30	24	17	21	3	M12	20-30-40-50-60	110-117-127-135-142
G732-80 M14	79	41	30	24	17	21	3	M14	20-30-40-50	120-131-145-182
G732-80 M16	79	41	30	24	17	21	3	M16	25-30-40-50	130-138-150-162