

ART. G733

4-LOBE HANDWHEEL WITH SMOOTH HOLE INSERT

MATERIAL:

Reinforced polyamide.
Oils and greases resistant.

SURFACE:

Satin.

COLOUR:

Black (RAL 9011).

MAIN INSERT:

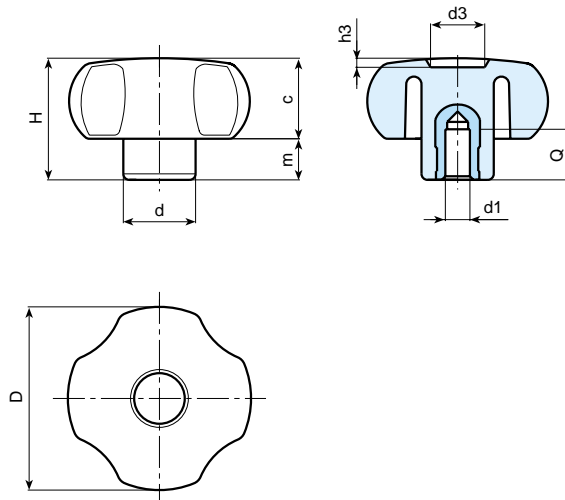
Zinc plated steel blind bored bush with H7 tolerance.
(*) Brass blind bored bush with H7 tolerance.

Bore not remachinable.



SPECIAL REQUESTS:

- It is possible to supply the inserts with d1 diameter by customer design, on request and for quantities.
- It is possible to supply the inserts in different materials, on request and for quantities.
- It is possible to supply colours as shown in the table at page 22, on request and for quantities.



Art.	D	H	d	c	m	d3	h3	dm	d1 H7	Q	Weight (gr)
G733-30 D06	30	23	15	13,5	9,5	12,5	2	-	(*) 06	15	16
G733-30 D08	30	23	15	13,5	9,5	12,5	2	-	(*) 08	15	17
G733-40 D06	41	29,5	16	18,5	11	12	3	-	(*) 06	15	24
G733-40 D08	41	29,5	16	18,5	11	12	3	-	(*) 08	15	28
G733-40 D10	41	29,5	16	18,5	11	12	3	-	(*) 10	15	30
G733-50 D05	52	33	21	21,5	11,5	15	2,5	12	05 H9	18	60
G733-50 D10	52	33	21	21,5	11,5	15	2,5	12	10	18	60
G733-60 D05	59	40	23	24,5	15,5	24	4	12	05 H9	18	90
G733-60 D12	59	40	23	24,5	15,5	24	4	12	12	16	90
G733-80 D05	79	41	30,5	24	17	21	3	18	05 H9	24	165
G733-80 D12	79	41	30,5	24	17	21	3	18	12	24	140

It's possible to increase the hole, by boring, until **dm**.