

ART. G734

4-LOBE HANDWHEEL WITH ELONGATED HUB AND THREADED INSERT

MATERIAL:

Reinforced polyamide.
Oils and greases resistant.

SURFACE:

Satin.

COLOUR:

Black (RAL 9011).

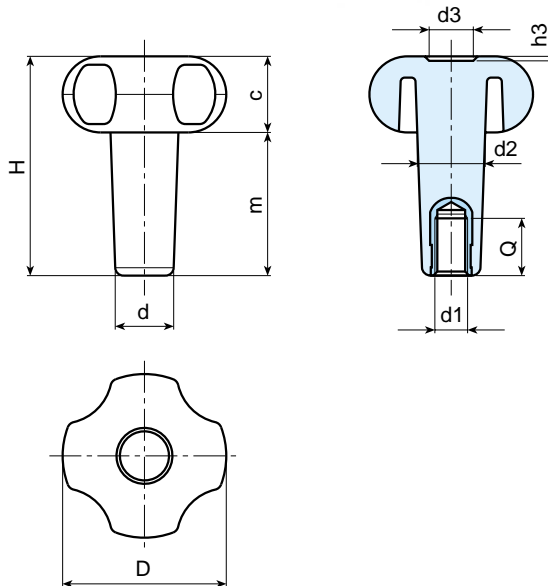
MAIN INSERT:

Brass blind threaded bush.



SPECIAL REQUESTS:

- It is possible to supply the inserts with different threads, on request and for quantities.
- It is possible to supply the inserts in different materials, on request and for quantities.
- It is possible to supply the handwheels with hubs to drawing, on request and for quantities.



Art.	D	H	m	d	c	d2	d3	h3	d1	Q	Weight (gr)
G734-30 T25 M06	30	37,5	23,5	13,5	14	14,5	12	2	M06	10	15
G734-30 T35 M06	30	47	33,5	13,5	14	15	12	2	M06	16	16
G734-30 T35 M08	30	47	33,5	13,5	14	15	12	2	M08	21	17
G734-40 T35 M10	41	54	35	16,5	19	17	12	3	M10	15	30
G734-40 T66 M06	41	85	66	16,5	19	18	12	3	M06	18	35
G734-50 T40 M08	52	61	39	17,5	22	19	14	2,5	M08	15	47
G734-50 T40 M10	52	61	39	17,5	22	19	14	2,5	M10	15	49
G734-50 T50 M08	52	71	49	18	22	20,5	14	2,5	M08	15	55
G734-50 T50 M10	52	71	49	18	22	20,5	14	2,5	M10	15	56
G734-50 T60 M10	52	80	58	18	22	21	14	2,5	M10	15	62
G734-60 T60 M08	59	83	58	23	25	24	24	4	M08	21	91
G734-60 T60 M10	59	83	58	23	25	24	24	4	M10	15	91
G734-60 T60 M12	59	83	58	23	25	24	24	4	M12	21	96
G734-60 T80 M08	59	103	78	23	25	24	24	4	M08	21	105
G734-60 T80 M10	59	103	78	23	25	24	24	4	M10	15	104
G734-60 T80 M12	59	103	78	23	25	24	24	4	M12	21	107