

ART. G791

CYLINDRICAL HANDWHEEL WITH THREADED INSERT

MATERIAL:

Reinforced polyamide.
Oils and greases resistant.

SURFACE:

Satin.

COLOUR:

Black (RAL 9011).

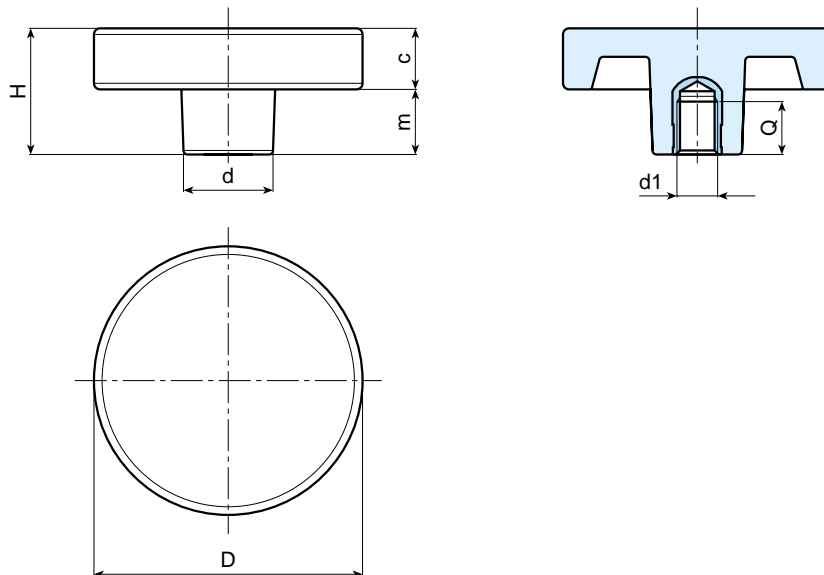
MAIN INSERT:

Brass blind threaded bush.



SPECIAL REQUESTS:

- It is possible to supply the inserts in different materials, on request and for quantities.
- It is possible to supply colours as shown in the table at page 22, on request and for quantities.



Art.	D	H	d	c	m	d1	Q	Weight (gr)
G791-36 M06	36	17	18	16	1	M06	10	18
G791-36 M08	36	17	18	16	1	M08	15	18
G791-36 M10	36	18	18	16	2	M10	14	19
G791-50 M08	50	30,5	22	15	15,5	M08	15	35
G791-50 M10	50	30,5	22	15	15,5	M10	14	36
G791-50 M12	50	30,5	22	15	15,5	M12	18	40
G791-66 M08	65	30	22	15	15	M08	15	52
G791-66 M10	65	30	22	15	15	M10	14	55
G791-66 M12	65	30	22	15	15	M12	18	58
G791-66 M14	65	30	22	15	15	M14	19	60