

# ART. G792

## CYLINDRICAL HANDWHEEL WITH SMOOTH HOLE INSERT

**MATERIAL:**  
Reinforced polyamide.  
Oils and greases resistant.

**SURFACE:**  
Satin.

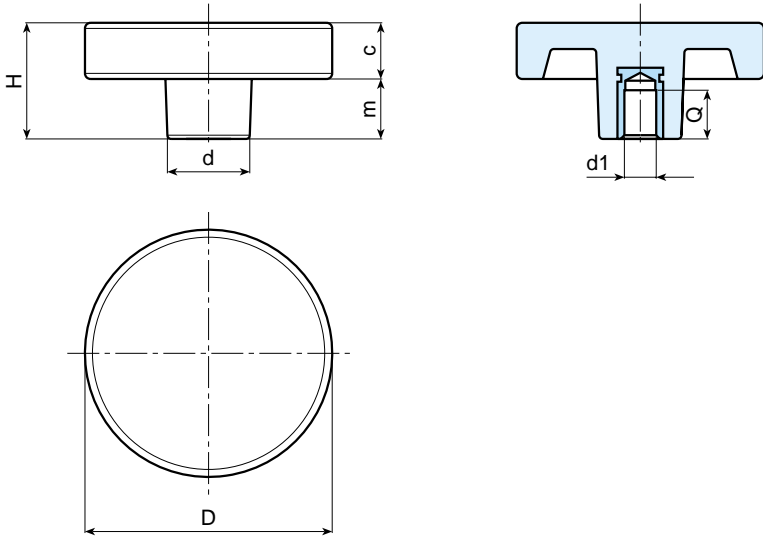
**COLOUR:**  
Black (RAL 9011).

**MAIN INSERT:**  
Zinc plated steel blind bored bush  
with H7 tolerance.



**SPECIAL REQUESTS:**

- It is possible to supply the inserts with d1 diameter by customer design, on request and for quantities.
- It is possible to supply the inserts in different materials, on request and for quantities.
- It is possible to supply colours as shown in the table at page 22, on request and for quantities.



Art.	D	H	d	c	m	dm	d1 H7	Q	Weight (gr)
G792-50 D08	50	30,5	22	15	15	12	8	20	62
G792-66 D05	65	30	22	15	15	12	05 H9	20	80
G792-66 D12	65	30	22	15	15	12	12	20	75

It's possible to increase the hole, by boring, until **dm**.

---



---



---



---



---



---



---



---



---



---

LOCKING HANDWHEELS