

ART. H171

KNURLED HANDWHEEL WITH SHORT HUB AND THREADED STUD



MATERIAL:

Reinforced polyamide.
Oils and greases resistant.

SURFACE:

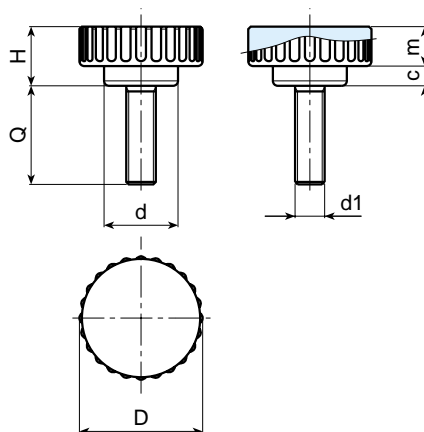
Satin.

COLOUR:

Black (RAL 9011).

MAIN INSERT:

Zinc plated steel threaded stud.



SPECIAL REQUESTS:

- It is possible to supply the inserts with different lengths, on request and for quantities.

Art.	D	H	d	m	c	d1	Q	Weight (gr)
H171-25 M06	25	12	15,5	4	8	M6	10-20-30-40	14-15-16-17,5
H171-25 M08	25	12	15,5	4	8	M8	16-20-30-40	14,5-15,5-16-18

ART. H171 CON

KNURLED HANDWHEEL WITH SHORT HUB AND THREADED BLIND INSERT



MATERIAL:

Reinforced polyamide.
Oils and greases resistant.

SURFACE:

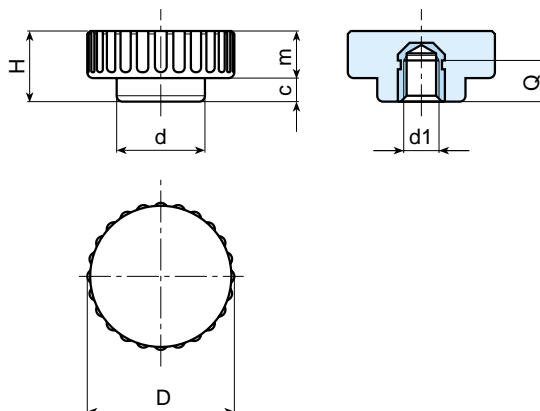
Satin.

COLOUR:

Black (RAL 9011).

MAIN INSERT:

Brass blind threaded bush.



SPECIAL REQUESTS:

- None.

Art.	D	H	d	m	c	Q	d1	Weight (gr)
H171-25 M06 CON	25	12	15,5	4	8	7	M6	7
H171-25 M08 CON	25	12	15,5	4	8	7	M8	8