

ART. H753

SOLID KNURLED HANDWHEEL WITH THREADED STUD

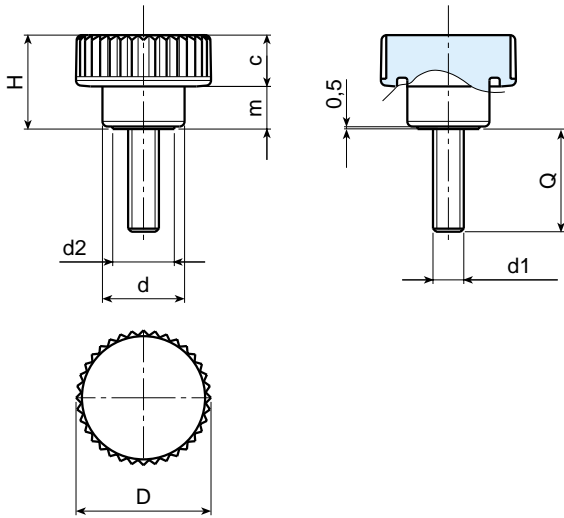
MATERIAL:
Reinforced polyamide.
Oils and greases resistant.

SURFACE:
Satin.

COLOUR:
Black (RAL 9011).

MAIN INSERT:
Zinc plated steel threaded stud.

- SPECIAL REQUESTS:**
- It is possible to supply the inserts with different lengths, on request and for quantities.
 - It is possible to supply the inserts in different materials, on request and for quantities.
 - It is possible to supply colours as shown in the table at page 22, on request and for quantities.



Art.	D	H	d	m	c	d2	d1	Q	Weight (gr)
H753-26 M05	26	18	16	8,5	9,5	12	M05	16-20-25	9-9,5-10
H753-26 M06	26	18	16	8,5	9,5	12	M06	16-20-25-30	9,5-10-10,5-11,5
H753-26 M08	26	18	16	8,5	9,5	12	M08	20-30-40	9,5-12,5-15

KNURLED HANDWHEELS