

ART. H757

SOLID KNURLED HANDWHEEL WITH THREADED BLIND INSERT

MATERIAL:

Reinforced polyamide.
Oils and greases resistant.

SURFACE:

Satin.

COLOUR:

Black (RAL 9011).

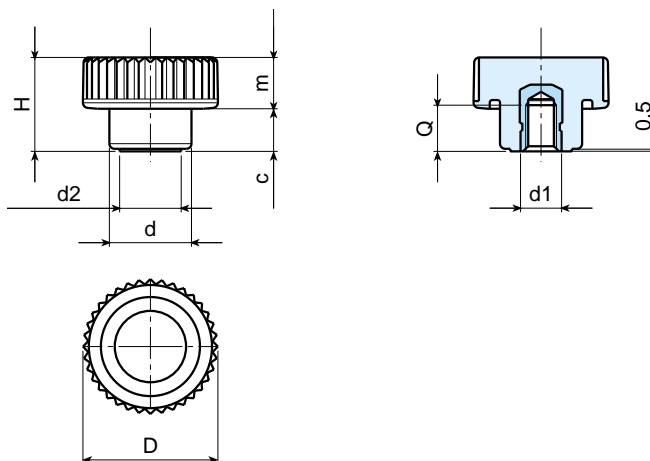
MAIN INSERT:

Brass blind threaded bush.



SPECIAL REQUESTS:

- It is possible to supply the inserts in different materials, on request and for quantities.
- It is possible to supply colours as shown in the table at page 22, on request and for quantities.



Art.	D	H	d	m	c	d2	d1	Q	Weight (gr)
H757-26 M05	26	18	16	8,5	9,5	12	M05	6	9
H757-26 M06	26	18	16	8,5	9,5	12	M06	9	10
H757-26 M08	26	18	16	8,5	9,5	12	M08	8	11