

# ART. H758

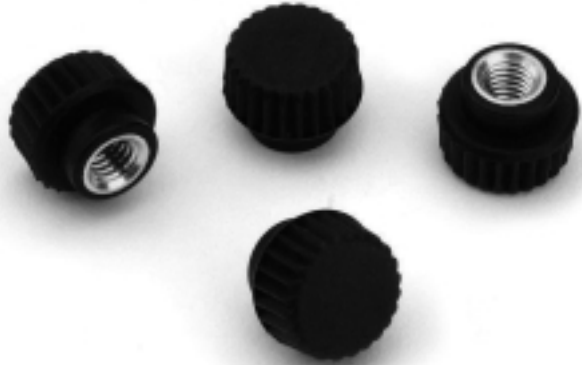
## KNURLED HANDWHEEL WITH HUB AND THREADED BLIND INSERT

**MATERIAL:**  
Reinforced polyamide.  
Oils and greases resistant.

**SURFACE:**  
Satin.

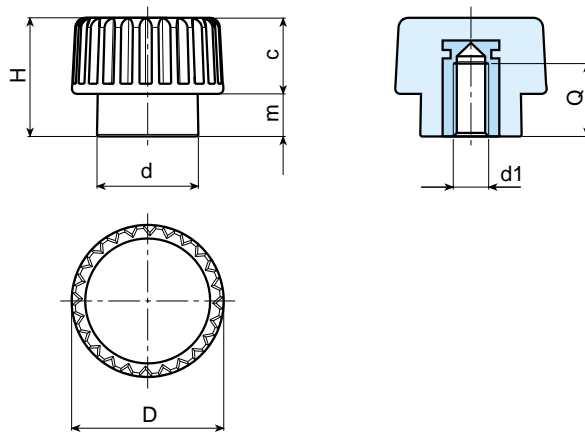
**COLOUR:**  
Black (RAL 9011).

**MAIN INSERT:**  
Brass blind threaded bush.



**SPECIAL REQUESTS:**

- It is possible to supply the inserts in different materials, on request and for quantities.
- It is possible to supply colours as shown in the table at page 22, on request and for quantities.



Art.	D	H	d	m	c	Q	d1	Weight (gr)
H758-15 M04	15	12	10	4,5	7,5	7	M4	4
H758-15 M05	15	12	10	4,5	7,5	7	M5	4
H758-15 M06	15	12	10	4,5	7,5	7	M6	4

KNURLED HANDWHEELS