

ART. H765

KNURLED HOLLOWED HANDWHEEL WITH THREADED THROUGH HOLE INSERT

MATERIAL:

Reinforced polyamide.
Oils and greases resistant.

SURFACE:

Satin.

COLOUR:

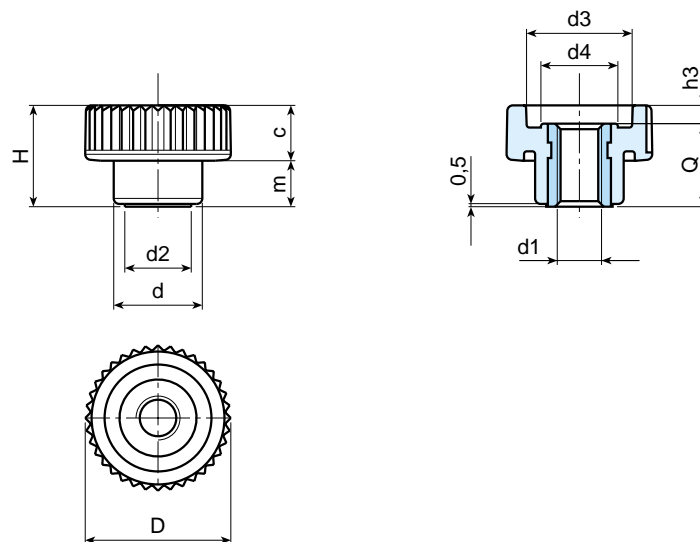
Black (RAL 9011).

MAIN INSERT:

Brass right through threaded bush.

SPECIAL REQUESTS:

- It is possible to supply the inserts in different materials, on request and for quantities.
- It is possible to supply colours as shown in the table at page 22, on request and for quantities.



Art.	D	H	d	m	c	d2	d3	d4	h3	d1	Q	Weight (gr)
H765-15 M04	15	10,5	10	4,5	6	8	10	7,5	2	M4	8,5	2
H765-15 M05	15	10,5	10	4,5	6	8	10	7,5	2	M5	8,5	2
H765-21 M05	21	15	13	6,5	8,5	9,5	15	10,5	2,5	M5	12,5	5
H765-21 M06	21	15	13	6,5	8,5	9,5	15	10,5	2,5	M6	12,5	5
H765-26 M06	26	18	16	8,5	9,5	12	19	13	3	M6	15	10
H765-26 M08	26	18	16	8,5	9,5	12	19	13	3	M8	15	10
H765-33 M08	32	23	20	10,5	12,5	15	23	16	5	M8	18	16
H765-33 M10	32	23	20	10,5	12,5	15	23	16	5	M10	18	16
H765-40 M08	40	28	25	12,5	15,5	18	28	21	6	M08	22	31
H765-40 M10	40	28	25	12,5	15,5	18	28	21	6	M10	22	32
H765-40 M12	40	28	25	12,5	15,5	18	28	21	6	M12	22	32
H765-40 M14	40	28	25	12,5	15,5	18	28	21	6	M14	22	34