

# ART. H765 CIN

## KNURLED HOLLOWED HANDWHEEL WITH THREADED STAINLESS STEEL THROUGH HOLE INSERT

**INOX**

**MATERIAL:**

Reinforced polyamide.  
Oils and greases resistant.

**SURFACE:**

Satin.

**COLOUR:**

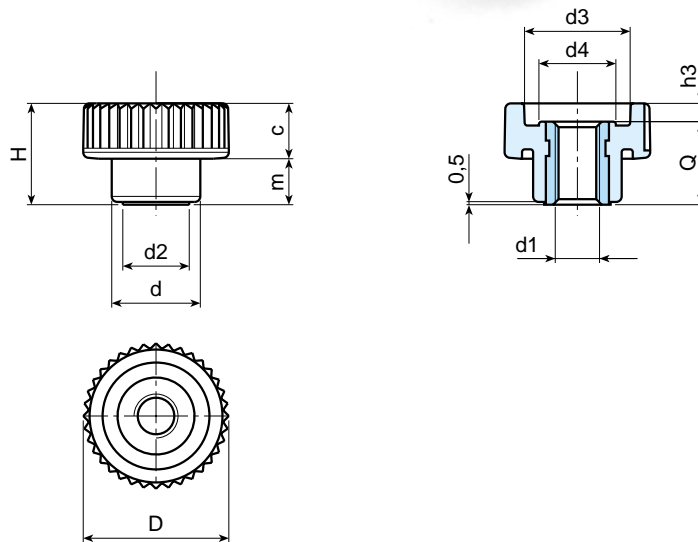
Black (RAL 9011).

**MAIN INSERT:**

Stainless steel right through threaded bush (AISI 303).

**SPECIAL REQUESTS:**

- It is possible to supply colours as shown in the table at page 22, on request and for quantities.



Art.	D	H	d	m	c	d2	d3	d4	h3	d1	Q	Weight (gr)
H765-15 M04 CIN	15	10,5	10	4,5	6	8	10	7,5	2	M4	8,5	3
H765-15 M05 CIN	15	10,5	10	4,5	6	8	10	7,5	2	M5	8,5	3
H765-21 M05 CIN	21	15	13	6,5	8,5	9,5	15	10,5	2,5	M5	12,5	6
H765-21 M06 CIN	21	15	13	6,5	8,5	9,5	15	10,5	2,5	M6	12,5	6
H765-26 M06 CIN	26	18	16	8,5	9,5	12	19	13	3	M6	15	11,5
H765-26 M08 CIN	26	18	16	8,5	9,5	12	19	13	3	M8	15	11,5
H765-33 M08 CIN	32	23	20	10,5	12,5	15	23	16	5	M8	18	18
H765-33 M10 CIN	32	23	20	10,5	12,5	15	23	16	5	M10	18	18
H765-40 M08 CIN	40	28	25	12,5	15,5	18	28	21	6	M08	22	32
H765-40 M10 CIN	40	28	25	12,5	15,5	18	28	21	6	M10	22	31
H765-40 M12 CIN	40	28	25	12,5	15,5	18	28	21	6	M12	22	34

KNURLED HANDWHEELS