

ART. 1107

SHORT HANDLE WITH THREADED INSERT

MATERIAL:

Reinforced polyamide.
Oils and greases resistant.

SURFACE:

Satin.

COLOUR:

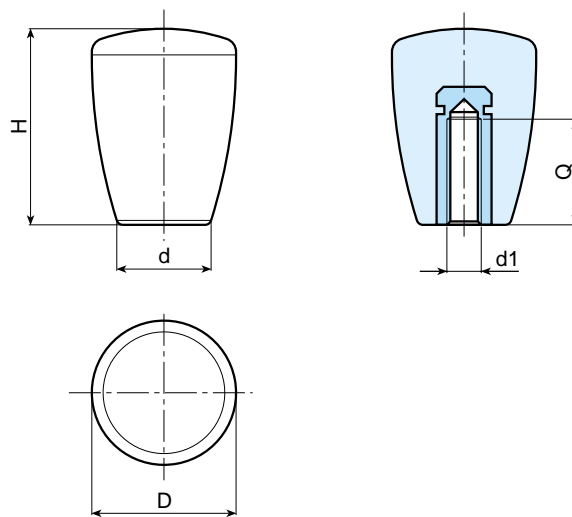
Black (RAL 9011).

MAIN INSERT:

Brass blind threaded bush.

SPECIAL REQUESTS:

- It is possible to supply the inserts in different materials, on request and for quantities.
- It is possible to supply colours as shown in the table at page 22, on request and for quantities.
(* Reduced colour range.



Art.	D	H	d	d1	Q	Weight (gr)
I107-21 M04	21	28	13	M4	10	14
I107-21 M05	21	28	13	M5	10	13
I107-21 M06	21	28	13	M6	10	13
I107-25 M06	25	34	17	M6	10	18
I107-25 M08	25	34	17	M8	13	20
I107-25 M10	25	34	17	M10	14	22
I107-32 M08	32	43	21	M8	14	40
I107-32 M10	32	43	21	M10	14	40
I107-32 M12	32	43	21	M12	18	44
I107-43 M10	43	58	27	(*) M10	18	90
I107-43 M12	43	58	27	(*) M12	18	90
I107-43 M14	43	58	27	(*) M14	19	92

BALL KNOBS AND MUSHROOM KNOBS