

ART. I107 CIN

SHORT HANDLE WITH THREADED STAINLESS STEEL INSERT

INOX

MATERIAL:

Reinforced polyamide.
Oils and greases resistant.

SURFACE:

Satin.

COLOUR:

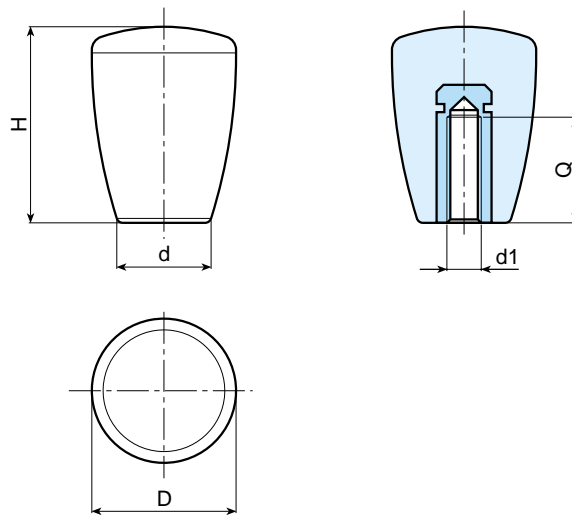
Black (RAL 9011).

MAIN INSERT:

Stainless steel blind threaded bush (AISI 303).

SPECIAL REQUESTS:

- It is possible to supply colours as shown in the table at page 22, on request and for quantities.
(* Reduced colour range.



| Art. | D | H | d | d1 | Q | Weight (gr) |
|-----------------|----|----|----|---------|----|-------------|
| I107-21 M05 CIN | 21 | 28 | 13 | M5 | 15 | 16 |
| I107-25 M06 CIN | 25 | 34 | 16 | M6 | 16 | 20 |
| I107-25 M08 CIN | 25 | 34 | 16 | M8 | 16 | 22 |
| I107-25 M10 CIN | 25 | 34 | 16 | M10 | 16 | 25 |
| I107-32 M08 CIN | 32 | 43 | 20 | M8 | 16 | 43 |
| I107-32 M10 CIN | 32 | 43 | 20 | M10 | 16 | 43 |
| I107-32 M12 CIN | 32 | 43 | 20 | M12 | 20 | 48 |
| I107-43 M10 CIN | 43 | 58 | 27 | (*) M10 | 16 | 92 |
| I107-43 M12 CIN | 43 | 58 | 27 | (*) M12 | 20 | 92 |

BALL KNOBS AND MUSHROOM KNOBS