

# ART. 1108

## SHORT HANDLE WITH THREADED HOLE

**MATERIAL:**

Reinforced polyamide.  
Oils and greases resistant.

**SURFACE:**

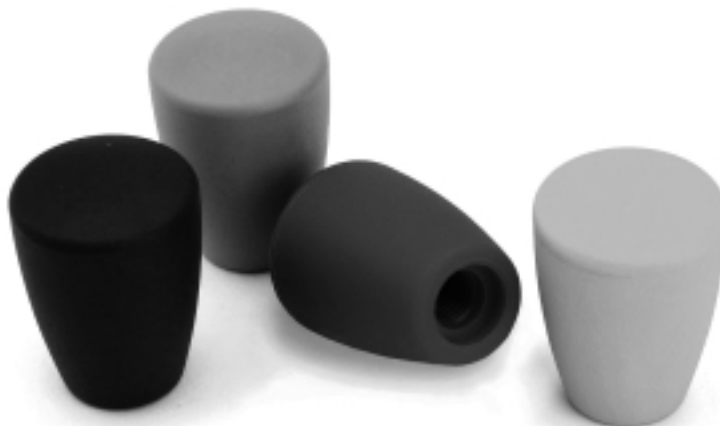
Satin.

**COLOUR:**

Black (RAL 9011).

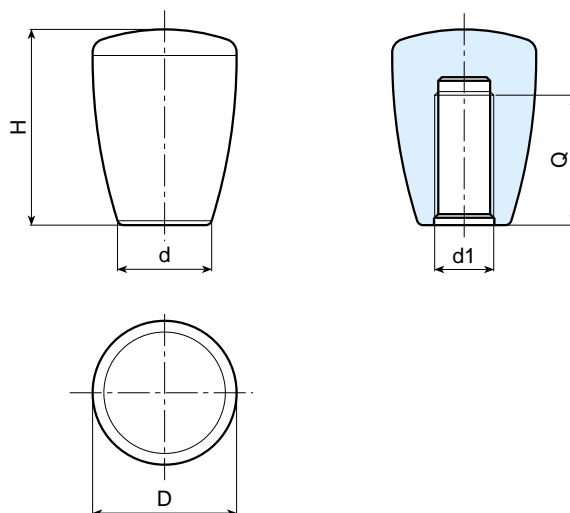
**HOLE :**

Female threaded blind hole obtained by moulding the plastic.



**SPECIAL REQUESTS:**

- It is possible to supply colours as shown in the table at page 22, on request and for quantities.  
(\* ) Reduced colour range.



Art.	D	H	d	d1	Q	Weight (gr)
I108-21 M04	21	28	13	M4	20	13
I108-21 M05	21	28	13	M5	20	12
I108-21 M06	21	28	13	M6	20	11
I108-25 M05	25	34	17	M5	20	16
I108-25 M06	25	34	17	M6	27	16
I108-25 M08	25	34	17	M8	28	14
I108-25 M10	25	34	17	M10	27	14
I108-32 M08	32	43	21	M8	34	32
I108-32 M10	32	43	21	M10	33	32
I108-32 M12	32	43	21	M12	33	32
I108-43 M10	43	58	27	(* ) M10	38	80
I108-43 M12	43	58	27	(* ) M12	38	78
I108-43 M14	43	58	27	(* ) M14	38	76
I108-43 M16	43	58	27	(* ) M16	38	74