

ART. I109

SHORT HANDLE WITH SELF-FIX HOLE

MATERIAL:

Reinforced polyamide.
Oils and greases resistant.

SURFACE:

Satin.

COLOUR:

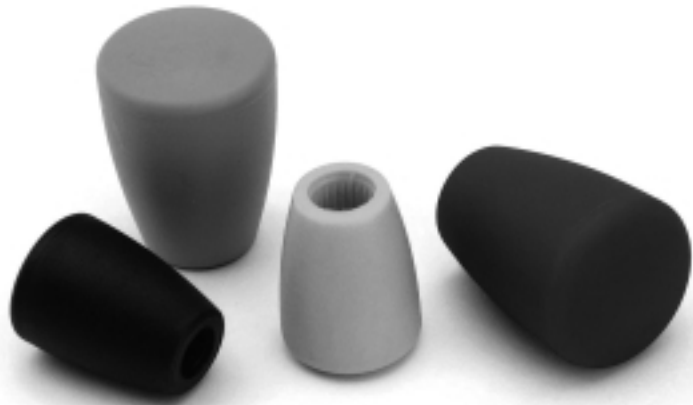
Black (RAL 9011).

HOLE :

Female smooth blind hole obtained by moulding the plastic.

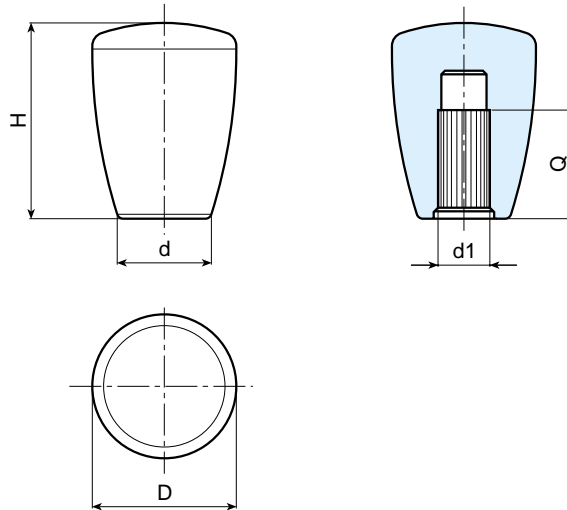
FIXING:

Push fit.



SPECIAL REQUESTS:

- It is possible to supply colours as shown in the table at page 22, on request and for quantities.
(* Reduced colour range.



Art.	D	H	d	d1	Q	Weight (gr)
I109-21 D05	21	28	13	D5	24	13
I109-25 D06	25	34	17	D6	24	16
I109-25 D08	25	34	17	D8	27	16
I109-25 D10	25	34	17	D10	26	14
I109-32 D08	32	43	21	D8	26	36
I109-32 D10	32	43	21	D10	26	34
I109-32 D11	32	43	21	D11	26	32
I109-32 D12	32	43	21	D12	26	30
I109-43 D10	43	58	27	(*) D10	30	80
I109-43 D12	43	58	27	(*) D12	30	78
I109-43 D14	43	58	27	(*) D14	36	76
I109-43 D15	43	58	27	(*) D15	36	74
I109-43 D16	43	58	27	(*) D16	36	72