

# ART. 1112

## SHORT HANDLE WITH THREADED STUD

**MATERIAL:**

Reinforced polyamide.  
Oils and greases resistant.

**SURFACE:**

Satin.

**COLOUR:**

Black (RAL 9011).

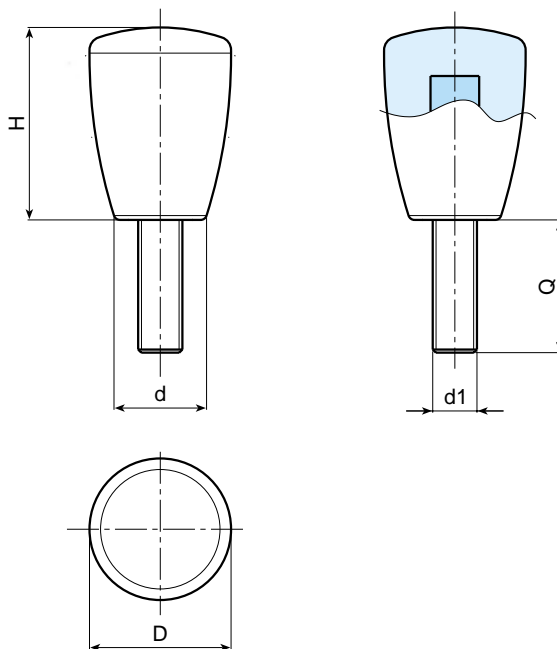
**MAIN INSERT:**

Zinc plated steel threaded stud.



**SPECIAL REQUESTS:**

- It is possible to supply the inserts in different materials, on request and for quantities.
- It is possible to supply the inserts with different lengths, on request and for quantities.
- It is possible to supply colours as shown in the table at page 22, on request and for quantities.  
(\* Reduced colour range.



Art.	D	H	d	d1	Q	Weight (gr)
I112-21 M04	21	28	13	M4	16	16
I112-21 M05	21	28	13	M5	16-30	17-19
I112-21 M06	21	28	13	M6	16-30	18-21
I112-25 M06	25	34	17	M6	16-30	20
I112-25 M08	25	34	17	M8	16-30	21-23
I112-25 M10	25	34	17	M10	16-20-30	22-23,5-25
I112-32 M08	32	43	21	M8	16-20-30	44-45-48
I112-32 M10	32	43	21	M10	16-20-30	50-52-57
I112-32 M12	32	43	21	M12	20-30	64-71
I112-43 M10	43	58	27	(*) M10	16-30	98-105
I112-43 M12	43	58	27	(*) M12	20-30	108-115
I112-43 M14	43	58	27	(*) M14	30	130