

ART. 1113

SHORT HANDLE WITH LEVER ARM

MATERIAL:

Reinforced polyamide.
Oils and greases resistant.

SURFACE:

Satin.

COLOUR:

Black (RAL 9011).

LEVER ARM:

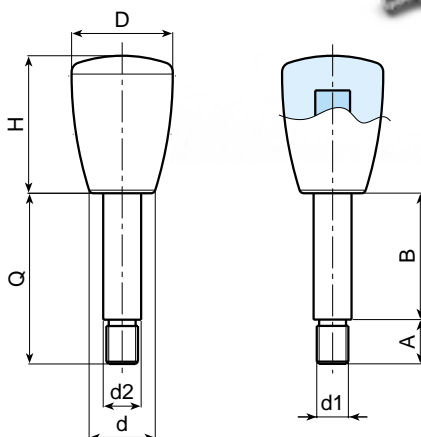
Partially threaded zinc plated steel stud.

FIXING:

Push fit (cannot be dismantled).

SPECIAL REQUESTS:

- It is possible to supply the inserts with custom size, on request and for quantities.
- It is possible to supply the inserts with different treatment-finishes, on request and for quantities.
- It is possible to supply colours as shown in the table at page 22, on request and for quantities.



| Art. | D | H | d | A | B | d2 | d1 | Q | Weight (gr) |
|----------------|----|----|----|----|----|----|-----|----|-------------|
| I113-25 M08x40 | 25 | 34 | 17 | 10 | 30 | 10 | M8 | 40 | 42 |
| I113-25 M08x55 | 25 | 34 | 17 | 10 | 45 | 10 | M8 | 55 | 48 |
| I113-25 M08x80 | 25 | 34 | 17 | 10 | 70 | 10 | M8 | 80 | 75 |
| I113-32 M10x55 | 32 | 43 | 21 | 15 | 40 | 12 | M10 | 55 | 86 |
| I113-32 M10x65 | 32 | 43 | 21 | 15 | 50 | 12 | M10 | 65 | 97 |
| I113-32 M12x65 | 32 | 43 | 21 | 15 | 50 | 14 | M12 | 65 | 114 |

ART. 1500

SHORT HANDLE WITH SELF-FIX HOLE

MATERIAL:

Reinforced polyamide.
Oils and greases resistant.

SURFACE:

Satin.

COLOUR:

Black (RAL 9011).

HOLE :

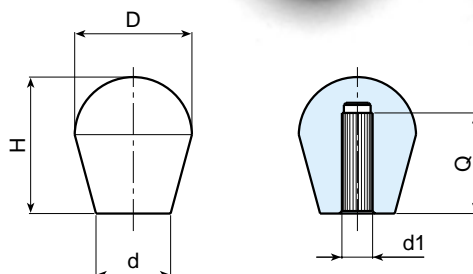
Female smooth blind hole obtained by moulding the plastic.

FIXING:

Push fit.

SPECIAL REQUESTS:

- It is possible to supply colours as shown in the table at page 22, on request and for quantities.



| Art. | D | H | d | d1 | Q | Weight (gr) |
|-------------|----|----|----|-----|----|-------------|
| I500-30 D10 | 27 | 32 | 18 | D10 | 23 | 11 |
| I500-30 D12 | 27 | 32 | 18 | D12 | 22 | 11 |
| I500-30 D14 | 27 | 32 | 18 | D14 | 20 | 10 |
| I500-37 D16 | 37 | 43 | 24 | D16 | 30 | 33 |
| I500-37 D18 | 37 | 43 | 24 | D18 | 30 | 31 |