

ART. 1117

MUSHROOM KNOB WITH THREADED INSERT

MATERIAL:

Reinforced polyamide.
Oils and greases resistant.

SURFACE:

Satin.

COLOUR:

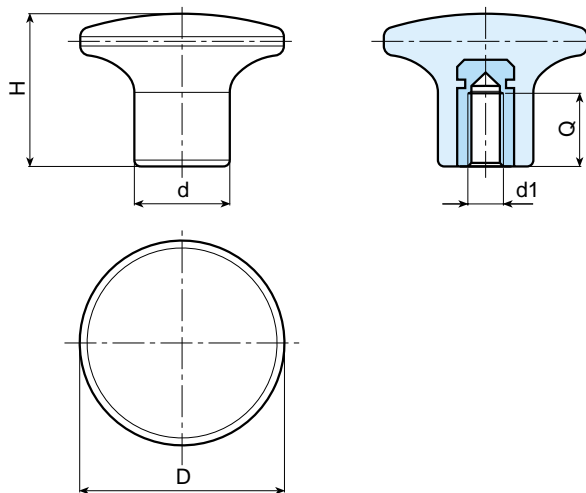
Black (RAL 9011).

MAIN INSERT:

Brass blind threaded bush.

SPECIAL REQUESTS:

- It is possible to supply the inserts in different materials, on request and for quantities.
- It is possible to supply colours as shown in the table at page 22, on request and for quantities.



Art.	D	H	d	d1	Q	Weight (gr)
I117-22 M04	22	17	11	M4	8	6
I117-22 M05	22	17	11	M5	10	6
I117-22 M06	22	17	11	M6	11	6
I117-26 M05	26	20,5	13	M5	10	9
I117-26 M06	26	20,5	13	M6	11	9
I117-26 M08	26	20,5	13	M8	15	10
I117-32 M05	32	24	15	M5	10	12
I117-32 M06	32	24	15	M6	9	12
I117-32 M08	32	24	15	M8	15	14
I117-45 M08	45	32	21	M8	20	32
I117-45 M10	45	32	21	M10	18	33
I117-45 M12	45	32	21	M12	18	34
I117-45 M14	45	32	21	M14	33	38
I117-45 M16	45	32	21	M16	33	43