

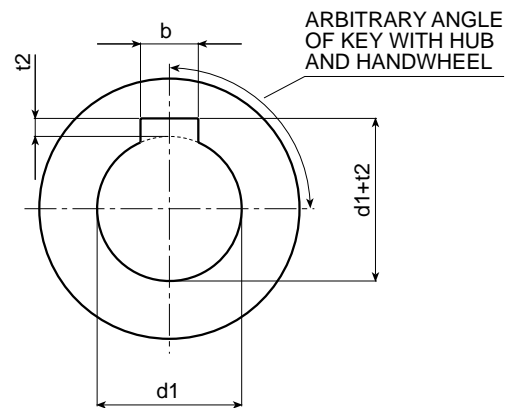
8.0 KEY SLOTS

Jencan can provide key slots on their inserts with through-holes.

The standard sizes available are as follow:

Shaft diameter d1 (mm)	Width by height bxh	t2
da 6 a 8	2 H7 x 2	1 ₀ ^{+0,1}
da 8 a 10	3 H7 x 3	1,4 ₀ ^{+0,1}
da 10 a 12	4 H7 x 4	1,8 ₀ ^{+0,1}
da 12 a 17	5 H7 x 5	2,3 ₀ ^{+0,1}
da 17 a 22	6 H7 x 6	2,8 ₀ ^{+0,1}
da 22 a 30	8 H7 x 7	3,3 ₀ ^{+0,2}
da 30 a 38	10 H7 x 8	3,3 ₀ ^{+0,2}

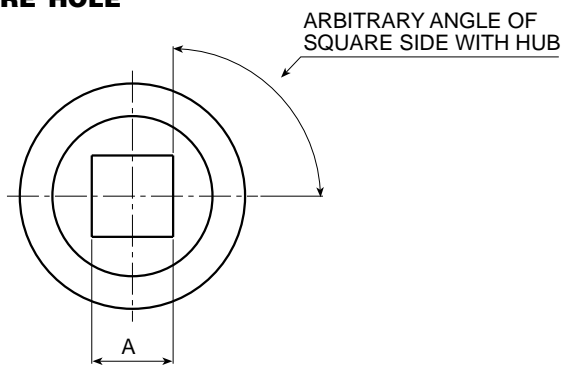
For non-standard key slots please contact our sales office.



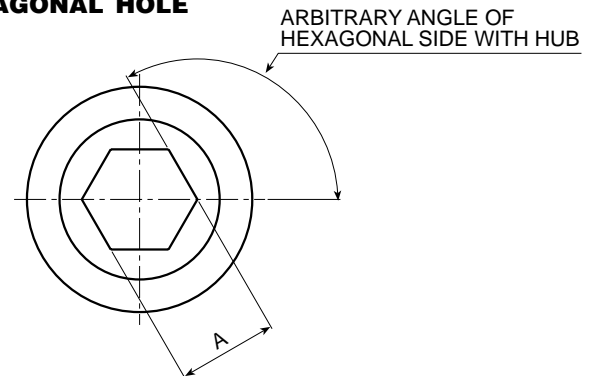
NOTE: The angular position of the key in the moulding phase is arbitrary.

9.0 SQUARE AND HEXAGONAL HOLES

SQUARE HOLE



HEXAGONAL HOLE



Jencan can provide square or hexagonal holes in their inserts with through-holes. If the final application allows it, it is possible to have the same square or hexagonal holes obtained in the plastic by means of moulding. As the material used for our handgrips is always reinforced with glass fibre, the resistance of the walls is considerable. If a metal insert is not used then this solution can be suitable for

applications in the medical or food industries or outdoors, as there are no metal parts which could oxidise or rust. The only point to be aware of is that the tolerance of the hole will not be exact. This is due to the actual nature of material which is injection-moulded.

The standard sizes available are as follow:

Square (with insert) AxA	Hexagon (with insert) A	Square (moulded plastic) AxA	Hexagon (moulded plastic) A
5x5 H7	5 H7	5x5 _{+0,1} ^{+0,2}	5 _{+0,1} ^{+0,2}
6x6 H7	6 H7	6x6 _{+0,1} ^{+0,2}	6 _{+0,1} ^{+0,2}
8x8 H7	8 H7	8x8 _{+0,1} ^{+0,2}	8 _{+0,1} ^{+0,2}
10x10 H7	10 H7	10x10 _{+0,1} ^{+0,2}	10 _{+0,1} ^{+0,2}
12x12 H7	11 H7	12x12 _{+0,1} ^{+0,2}	12 _{+0,1} ^{+0,2}
14x14 H7	12 H7	14x14 _{+0,1} ^{+0,2}	14 _{+0,1} ^{+0,2}
17x17 H7	14 H7	16x16 _{+0,1} ^{+0,2}	16 _{+0,1} ^{+0,2}
	16 H7	17x17 _{+0,1} ^{+0,2}	17 _{+0,1} ^{+0,2}