

ART. K900

SOLID CONTROL HANDWHEEL FOR BUILT-IN POSITION INDICATOR

MATERIAL:

Reinforced and stabilised polyamide.
Oils and greases resistant.

SURFACE:

Satin.

HANDWHEEL COLOUR:

Black (RAL 9011).

ATTACHABLE POSITION INDICATOR:

SIKO gravity indicator type "S" or "SZ". The indicator can only be used in a vertical position (horizontal machine axle). The indicator and the d7 grub screw must be purchased separately. For further details see page 306.

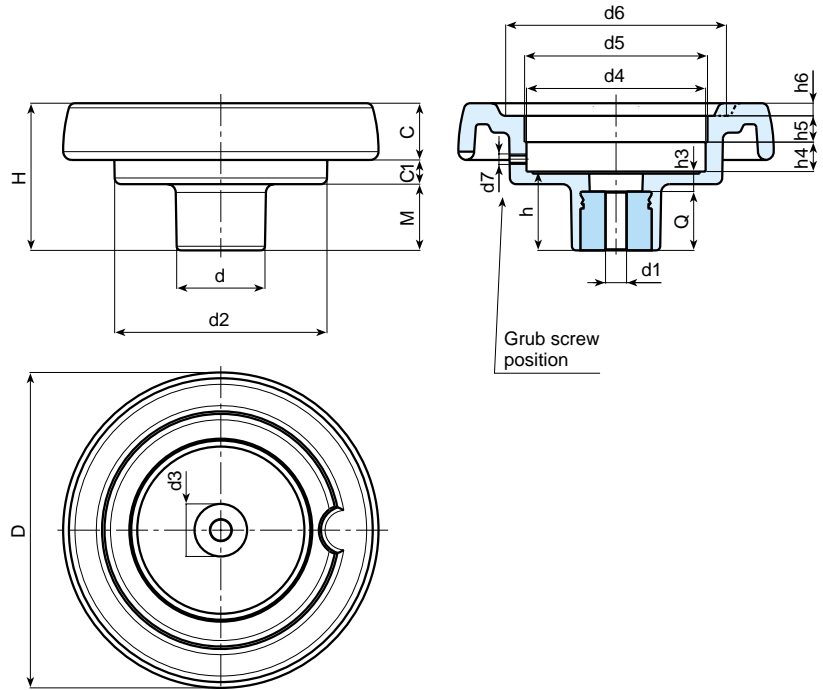
(*) SIKO position indicator S50/1 can be mounted with adapter KS80-50.

(+) SIKO position indicator S80/1 can be mounted with adapter KS120-80.

MAIN INSERT:

Zinc plated steel right through bored bush with H7 tolerance.

For fixing systems, or execution of tabs or square holes, please refer to the technical notes attached to the catalogue.



SPECIAL REQUESTS:

- It is possible to supply the inserts with d1 diameter by customer design, on request and for quantities.
- It is possible to supply the inserts in different materials, on request and for quantities.
- It is possible to supply the inserts with different treatment-finishes, on request and for quantities.
- On request and for special quantities the indicator seat can be changed.
- It is possible to supply the complete handwheel with colours as shown in the table at page 22, on request and for quantities.



Art.	D	H	d	d2	M	C	C1	d3	d4	d5	d6	d7	h	h3	h4	h5	h6	d1 H7	dm	Q	Weight (gr)
K900-87 T50 D5.8	86	53	32	62	21	17	15	20	50,5	52 (S50/1)	63	M6	26,5	6,5	11,5	12	3	5,8 H9	12	20	155
K900-87 T50 D10	86	53	32	62	21	17	15	20	50,5	52 (S50/1)	63	M6	26,5	6,5	11,5	12	3	10	12	20	155
K900-100 T50 D6.8	99	55,5	32	63	23,5	20,5	11,5	20	50,5	52 (S50/1)	68	M6	29	9	11,5	12	3,5	6,8 H9	12	20	170
K900-100 T50 D10	99	55,5	32	63	23,5	20,5	11,5	20	50,5	52 (S50/1)	68	M6	29	9	11,5	12	3,5	10	12	20	170
K900-130 T80 D6.8	129	64,5	42	100	27,5	23	14	29	85,5	87 (S80/1) *	90	M6	34	10	13,5	12,5	5	6,8 H9	20	24	350
K900-130 T80 D12	129	64,5	42	100	27,5	23	14	29	85,5	87 (S80/1) *	90	M6	34	10	13,5	12,5	5	12	20	24	348
K900-150 T80 D6.8	149	69	42	101	31	25,5	12,5	29	85,5	87 (S80/1) *	106	M6	37	9	13,5	12,5	6,5	6,8 H9	20	28	430
K900-150 T80 D14	149	69	42	101	31	25,5	12,5	29	85,5	87 (S80/1) *	106	M6	37	9	13,5	12,5	6,5	14	20	28	427
K900-175 T80 D6.8	175	72	40	115	28,5	32	11,5	25	85,5	87 (S80/1) *	126,5	M6	38	10	12,5	14	8	6,8 H9	20	28	650
K900-175 T80 D16	175	72	40	115	28,5	32	11,5	25	85,5	87 (S80/1) *	126,5	M6	38	10	12,5	14	8	16	20	28	645
K900-200 T120 D6.8	199	71	46	137	24	32	15	29	124	125,5 (S120/1) +	144	M6	34	11	13,5	12,5	10	6,8 H9	22	23	810
K900-200 T120 D20	199	71	46	137	24	32	15	29	124	125,5 (S120/1) +	144	M6	34	11	13,5	12,5	10	20	22	23	804

It's possible to increase the hole, by boring, until dm.

Next to the d5 diameter is shown a mountable Siko indicator. For information on the indicator visit the SIKO web site at www.siko.de.