

**ART. K901**

## SOLID CONTROL HANDWHEEL FOR BUILT-IN POSITION INDICATOR AND LOCKING HANDWHEEL

**MATERIAL:**

Reinforced and stabilised polyamide.  
Oils and greases resistant.

**SURFACE:**

Satin.

**HANDWHEEL COLOUR:**

Black (RAL 9011).

**ATTACHABLE POSITION INDICATOR:**

SIKO gravity indicator type "S" or "SZ". The indicator can only be used in a vertical position (horizontal machine axle). The indicator and the d7 grub screw must be purchased separately. For further details see page 306.

(\*) SIKO position indicator S50/1 can be mounted with adapter KS80-50.

(+) SIKO position indicator S80/1 can be mounted with adapter KS120-80.

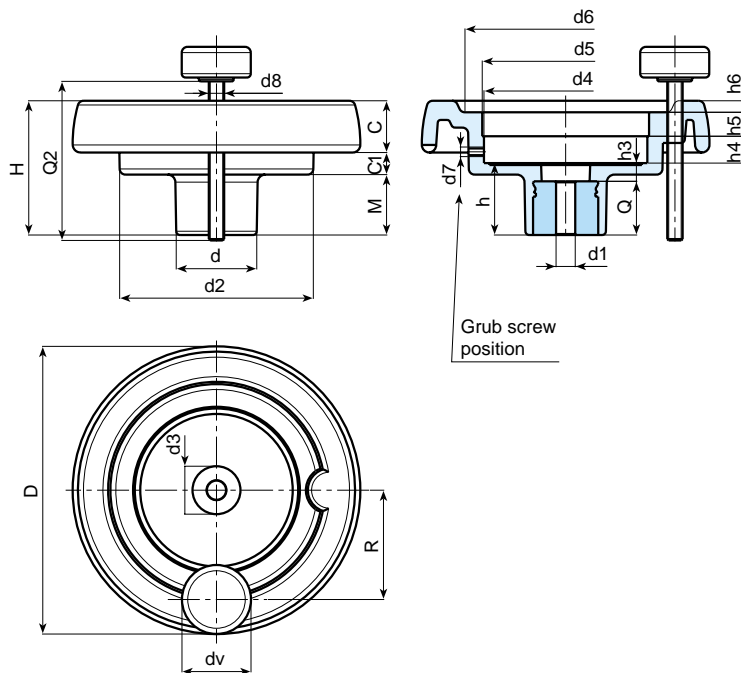
**MAIN INSERT:**

Zinc plated steel right through bored bush with H7 tolerance.

**LOCKING HANDWHEEL:**

Cylindrical handwheel G793-36 with threaded stud (see chapter G page 136). Black (RAL 9011).

**Caution:** the Q2 dimension of the handwheel must be chosen by the customer according to the dimensions of the machinery on which it will be installed. For model K901-130 the locking handwheel is replaced with the wingnut L751-32 (see chapter L page 191).



For fixing systems, or execution of tabs or square holes, please refer to the technical notes attached to the catalogue.

**SPECIAL REQUESTS:**

- It is possible to supply the inserts with d1 diameter by customer design, on request and for quantities.
- It is possible to supply the inserts in different materials, on request and for quantities.
- It is possible to supply the inserts with different treatment-finishes, on request and for quantities.
- On request and for special quantities the indicator seat can be changed.
- It is possible to supply the complete handwheel with colours as shown in the table at page 22, on request and for quantities.



Art.	D	H	d	d2	M	C	C1	d3	d4	R	d5	d6	d8	d7	h	h3	h4	h5	h6	d1 H7	dm	Q	Weight (gr)
K901-130 T80 D5.8	129	64,5	42	100	27,5	23	14	29	85,5	54	87 (S80/1) *	90	M8	M6	34	10	13,5	12,5	5	6,8 H9	20	24	370
K901-130 T80 D12	129	64,5	42	100	27,5	23	14	29	85,5	54	87 (S80/1) *	90	M8	M6	34	10	13,5	12,5	5	12	20	24	368
K901-150 T80 D6.8	149	69	42	101	31	25,5	12,5	29	85,5	57	87 (S80/1) *	106	M8	M6	37	9	13,5	12,5	6,5	6,8 H9	20	28	470
K901-150 T80 D14	149	69	42	101	31	25,5	12,5	29	85,5	57	87 (S80/1) *	106	M8	M6	37	9	13,5	12,5	6,5	14	20	28	467
K901-175 T80 D6.8	175	72	40	115	28,5	32	11,5	25	85,5	60	87 (S80/1) *	126,5	M8	M6	38	10	12,5	14	8	6,8 H9	20	28	690
K901-175 T80 D16	175	72	40	115	28,5	32	11,5	25	85,5	60	87 (S80/1) *	126,5	M8	M6	38	10	12,5	14	8	16	20	28	685
K901-200 T120 D6.8	199	71	46	137	24	32	15	29	124	74	125,5 (S120/1) +	144	M8	M6	34	11	13,5	12,5	10	6,8 H9	22	23	850
K901-200 T120 D20	199	71	46	137	24	32	15	29	124	74	125,5 (S120/1) +	144	M8	M6	34	11	13,5	12,5	10	20	22	23	843

Q2 = On request.

dv = 36 mm (K901-130 dv = 32 mm).

It's possible to increase the hole, by boring, until dm.

Next to the d5 diameter is shown a mountable Siko indicator. For information on the indicator visit the SIKO web site at [www.siko.de](http://www.siko.de).



[www.jencan.com](http://www.jencan.com)



01454.321171

01454.320897