

ART. K904

SOLID CONTROL HANDWHEEL FOR BUILT-IN POSITION INDICATOR WITH REVOLVING, FOLDING HANDLE

MATERIAL:

Reinforced and stabilised polyamide.
Oils and greases resistant.

SURFACE:

Satin.

HANDWHEEL AND HANDLE COLOUR:

Black (RAL 9011).

ATTACHABLE POSITION INDICATOR:

SIKO gravity indicator type "S" or "SZ". The indicator can only be used in a vertical position (horizontal machine axle). The indicator and the d7 grub screw must be purchased separately. For further details see page 306.

(*) SIKO position indicator S50/1 can be mounted with adapter KS80-50.

(+) SIKO position indicator S80/1 can be mounted with adapter KS120-80.

MAIN INSERT:

Zinc plated steel right through bored bush with H7 tolerance.

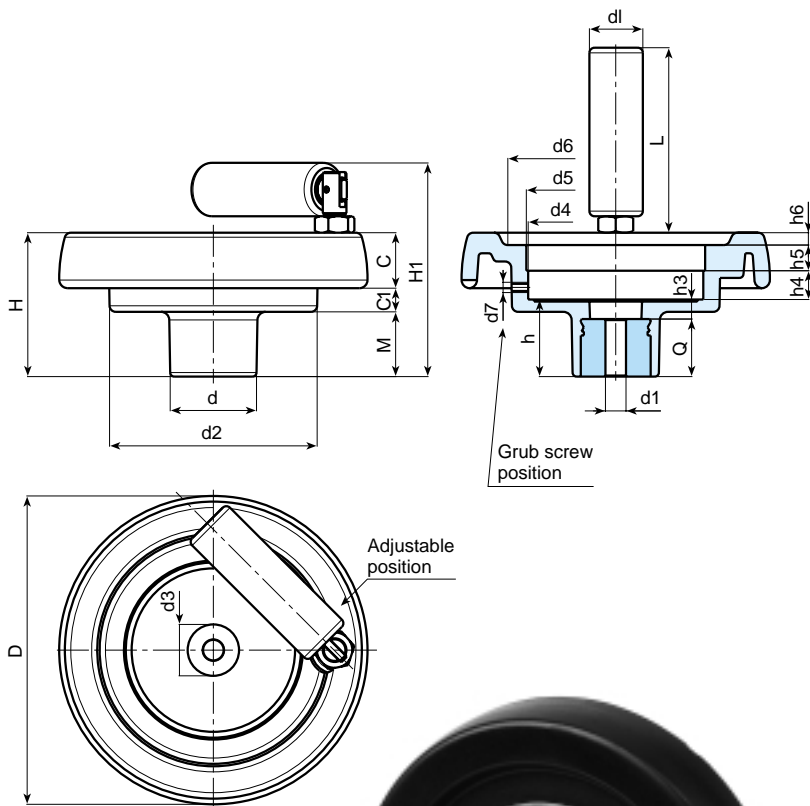
SIDE INSERT:

Brass right through threaded bush.

SIDE HANDLE:

Revolving handle and folding Art. M136 (see chapter M on page 210).

For fixing systems, or execution of tabs or square holes, please refer to the technical notes attached to the catalogue.



SPECIAL REQUESTS:

- It is possible to supply the inserts with d1 diameter by customer design, on request and for quantities.
- It is possible to supply the inserts in different materials, on request and for quantities.
- It is possible to supply the inserts with different treatment-finishes, on request and for quantities.
- On request and for special quantities the indicator seat can be changed.
- It is possible to supply the complete handwheel with colours as shown in the table at page 22, on request and for quantities.

Art.	D	H	d	d2	M	C	C1	d3	d4	d5	d6	d7	h	h3	h4	h5	h6	d1 H7	dm	Q	dl	L	H1	Weight (gr)
K904-87 T50 D5.8	86	53	32	62	21	17	15	20	50,5	52 (S50/1)	63	M6	26,5	6,5	11,5	12	3	5,8 H9	12	20	20	56	77	194
K904-87 T50 D10	86	53	32	62	21	17	15	20	50,5	52 (S50/1)	63	M6	26,5	6,5	11,5	12	3	10	12	20	20	56	77	194
K904-100 T50 D6.8	99	55,5	32	63	23,5	20,5	11,5	20	50,5	52 (S50/1)	68	M6	29	9	11,5	12	3,5	6,8 H9	12	20	20	56	80	209
K904-100 T50 D10	99	55,5	32	63	23,5	20,5	11,5	20	50,5	52 (S50/1)	68	M6	29	9	11,5	12	3,5	10	12	20	20	56	80	209
K904-130 T80 D6.8	129	64,5	42	100	27,5	23	14	29	85,5	87 (S80/1) *	90	M6	34	10	13,5	12,5	5	6,8 H9	20	24	25	76	94	421
K904-130 T80 D12	129	64,5	42	100	27,5	23	14	29	85,5	87 (S80/1) *	90	M6	34	10	13,5	12,5	5	12	20	24	26	89	94	419
K904-150 T80 D6.8	149	69	42	101	31	25,5	12,5	29	85,5	87 (S80/1) *	106	M6	37	9	13,5	12,5	6,5	6,8 H9	20	28	26	89	104	582
K904-150 T80 D14	149	69	42	101	31	25,5	12,5	29	85,5	87 (S80/1) *	106	M6	37	9	13,5	12,5	6,5	14	20	28	26	89	104	579
K904-175 T80 D6.8	175	72	40	115	28,5	32	11,5	25	85,5	87 (S80/1) *	126,5	M6	38	10	12,5	14	8	6,8 H9	20	28	26	89	107	800
K904-175 T80 D16	175	72	40	115	28,5	32	11,5	25	85,5	87 (S80/1) *	126,5	M6	38	10	12,5	14	8	16	20	28	26	89	107	795
K904-200 T120 D6.8	199	71	46	137	24	32	15	29	124	125,5 (S120/1) +	144	M6	34	11	13,5	12,5	10	6,8 H9	22	23	26	97	106	970
K904-200 T120 D20	199	71	46	137	24	32	15	29	124	125,5 (S120/1) +	144	M6	34	11	13,5	12,5	10	20	22	23	26	97	106	964

It's possible to increase the hole, by boring, until dm.

Next to the d5 diameter is shown a mountable Siko indicator. For information on the indicator visit the SIKO web site at www.siko.de.



www.jencan.com



01454.321171

01454.320897

sales@jencan.com