

# ART. L271

## T HANDLE WITH THREADED STUD

**MATERIAL:**

Reinforced polyamide.  
Oils and greases resistant.

**SURFACE:**

Satin.

**COLOUR:**

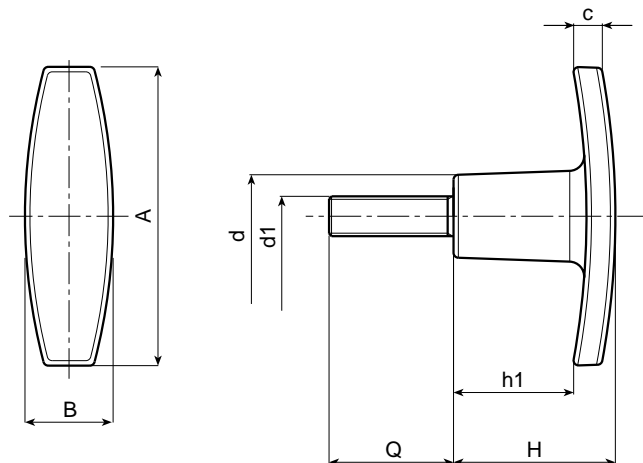
Black (RAL 9011).

**MAIN INSERT:**

Zinc plated steel threaded stud.

**SPECIAL REQUESTS:**

- It is possible to supply the inserts with different lengths, on request and for quantities.
- It is possible to supply the inserts in different materials, on request and for quantities.
- It is possible to supply colours as shown in the table at page 22, on request and for quantities.



Art.	A	B	H	h1	c	d	d1	Q	Weight (gr)	F1 (N)
L271-50 M5	50	15	24	17	5	14	M5	20-30-40	13-14-15	4100
L271-50 M6	50	15	24	17	5	14	M6	20-30-40	15-16,5-18	4100
L271-60 M5	60	18	33	24	6	16,5	M5	20-30-40	20-21-22,5	4100
L271-60 M6	60	18	33	24	6	16,5	M6	20-30-40	23-25-27	5800
L271-60 M8	60	18	33	24	6	16,5	M8	20-30-40	27,5-31-34	5800
L271-60 M10	60	18	33	24	6	16,5	M10	20-30-40	30-35-38	5800
L271-72 M6	72	19	34	20	10	18	M6	20-30-40	30-32-34	6500
L271-72 M8	72	19	34	20	10	18	M8	20-30-40-50	36-42-45-48	6500
L271-72 M10	72	19	34	20	10	18	M10	30-40-50	56-61-66	6500
L271-72 M12	72	19	34	20	10	18	M12	30-40-50	58-64-71	6500