

ART. L271 CIN

T HANDLE WITH THREADED STAINLESS STEEL STUD

INOX

MATERIAL:

Reinforced polyamide.
Oils and greases resistant.

SURFACE:

Satin.

COLOUR:

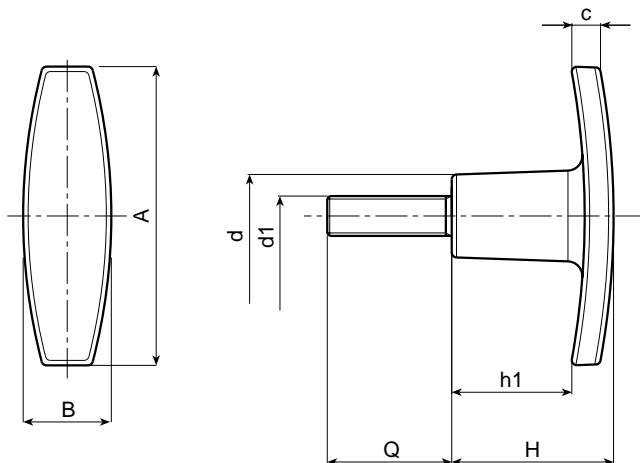
Black (RAL 9011).

MAIN INSERT:

Stainless steel threaded stud (AISI 303).

SPECIAL REQUESTS:

- It is possible to supply the inserts with different lengths, on request and for quantities.
- It is possible to supply colours as shown in the table at page 22, on request and for quantities.



Art.	A	B	H	h1	c	d	d1	Q	Weight (gr)	F1 (N)
L271-50 M5 CIN	50	15	24	17	5	14	M5	30	15	4100
L271-50 M6 CIN	50	15	24	17	5	14	M6	30	17	4100
L271-60 M6 CIN	60	18	33	24	6	16,5	M6	40	25	5800
L271-60 M8 CIN	60	18	33	24	6	16,5	M8	40	31	5800
L271-72 M8 CIN	72	19	34	20	10	18	M8	40	43	6500
L271-72 M10 CIN	72	19	34	20	10	18	M10	40	57	6500
L271-72 M12 CIN	72	19	34	20	10	18	M12	40	65	6500

WINGNUTS AND T HANDLES