

# ART. L747

## 28mm. WINGNUT WITH THREADED INSERT

**MATERIAL:**

Reinforced polyamide.  
Oils and greases resistant.

**SURFACE:**

Satin.

**COLOUR:**

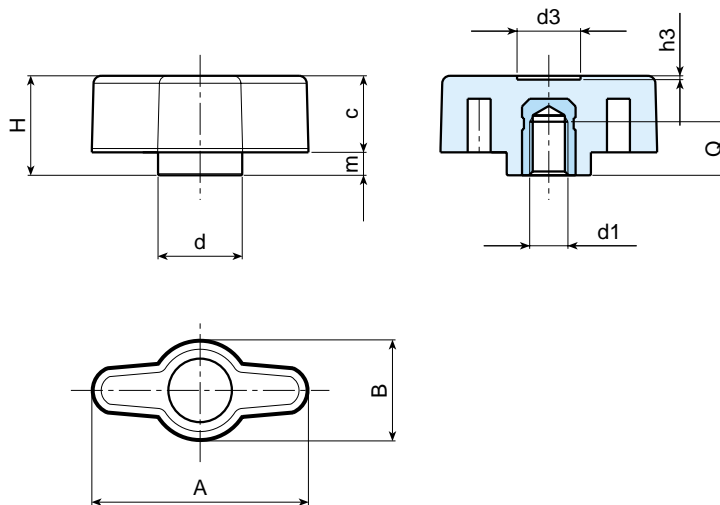
Black (RAL 9011).

**MAIN INSERT:**

Brass blind threaded bush.

**SPECIAL REQUESTS:**

- It is possible to supply the inserts in different materials, on request and for quantities.
- It is possible to supply colours as shown in the table at page 22, on request and for quantities.



Art.	A	B	H	m	c	d	d3	h3	d1	Q	Weight (gr)
L747-28 M4	28	13	13	3	10	11	8	0,5	M4	8	4
L747-28 M5	28	13	13	3	10	11	8	0,5	M5	8	5
L747-28 M6	28	13	13	3	10	11	8	0,5	M6	8	6

W I N G N U T S   A N D   T   H A N D L E S