

ART. L749

28mm. WINGNUT WITH THREADED STUD

MATERIAL:

Reinforced polyamide.
Oils and greases resistant.

SURFACE:

Satin.

COLOUR:

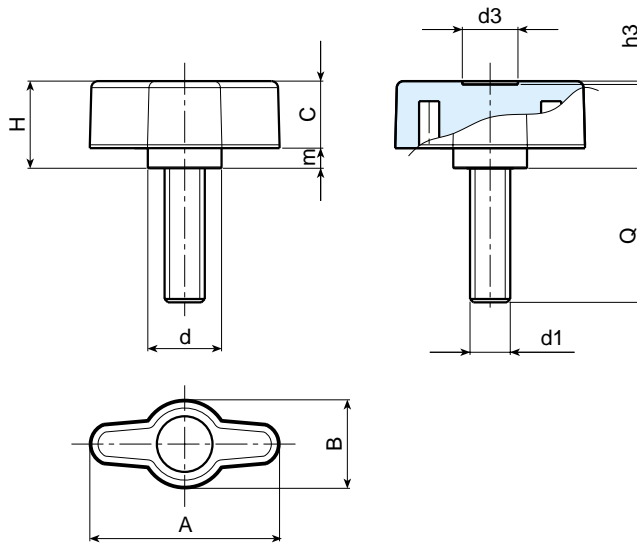
Black (RAL 9011).

MAIN INSERT:

Zinc plated steel threaded stud.

SPECIAL REQUESTS:

- It is possible to supply the inserts with different lengths, on request and for quantities.
- It is possible to supply the inserts in different materials, on request and for quantities.
- It is possible to supply colours as shown in the table at page 22, on request and for quantities.



| Art. | A | B | H | m | c | d | d3 | h3 | d1 | Q | Weight (gr) |
|------------|----|----|----|---|----|----|----|-----|----|----------------------|-------------------------|
| L749-28 M4 | 28 | 13 | 13 | 3 | 10 | 11 | 8 | 0,5 | M4 | 10-16-20-25-30-40-50 | 5,5-6-6,5-7-7,5-8,5 |
| L749-28 M5 | 28 | 13 | 13 | 3 | 10 | 11 | 8 | 0,5 | M5 | 10-16-20-25-30-40-50 | 7-7,5-8-8,5-9-10-11 |
| L749-28 M6 | 28 | 13 | 13 | 3 | 10 | 11 | 8 | 0,5 | M6 | 10-16-20-25-30-40-50 | 7,5-8,5-9-10-11-12,5-14 |

W I N G N U T S A N D T H A N D L E S