

ART. M128

GEAR STICK HANDLE

MATERIAL:

Reinforced polyamide.
Oils and greases resistant.

SURFACE:

Satin.

COLOUR:

Black (RAL 9011).

HOLE :

Female smooth blind hole obtained by moulding the plastic.

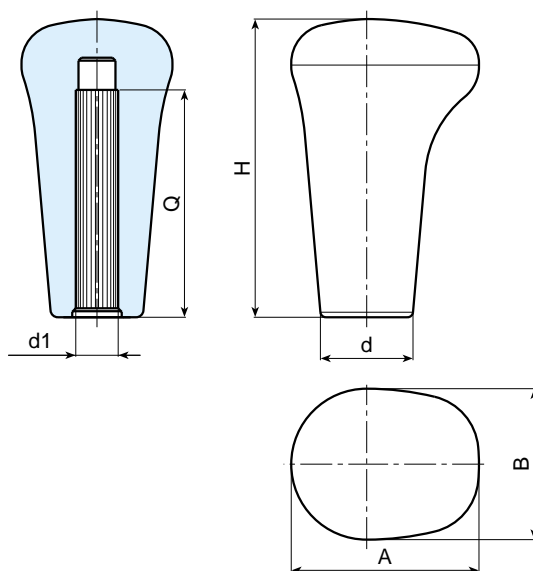
FIXING:

Push fit.



SPECIAL REQUESTS:

- It is possible to supply the handle with d1 diameter by customer design, on request and for quantities.
- It is possible to supply colours as shown in the table at page 22, on request and for quantities.



Art.	H	A	B	d	d1	Q	Weight (gr)
M128-80 D12	80	50	40	26	12	75	80
M128-80 D14	80	50	40	26	14	75	74
M128-80 D16	80	50	40	26	16	75	68