

ART. M129

REVOLVING HANDLE WITH HEXAGON SOCKET HEAD STUD

MATERIAL:

Reinforced polyamide.
Oils and greases resistant.

SURFACE:

Satin.

COLOUR:

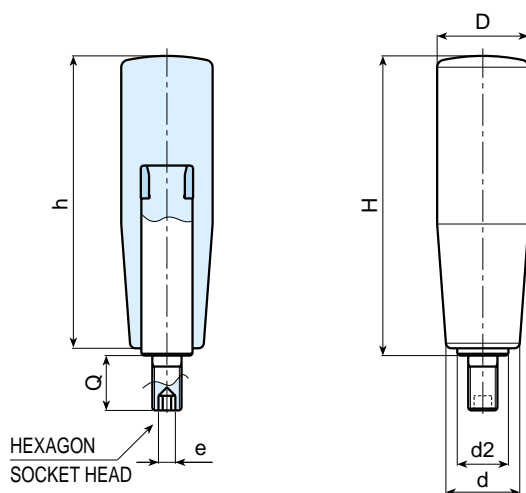
Black (RAL 9011).

REVOLVING INSERT:

Zinc plated steel threaded stud with hexagon socket head.

SPECIAL REQUESTS:

- It is possible to supply the inserts with different treatment-finishes, on request and for quantities.
- It is possible to supply colours as shown in the table at page 22, on request and for quantities.



Art.	H	D	h	d	d1	d2	e	Q	Weight (gr)
M129-50 M06	52	20	51	16	M6	11	3	12	42
M129-60 M06	62	23	60	18	M6	11	3	12	54
M129-60 M08	62	23	60	18	M8	11	4	15	60
M129-70 M08	72	25	70	19	M8	14	4	15	92
M129-70 M10	72	25	70	19	M10	14	5	15	94
M129-80 M08	81	25	79	20	M8	14	4	15	98
M129-80 M10	81	25	79	20	M10	14	5	15	104
M129-80 M12	82	26	81	20	M12	14	5	15	104
M129-90 M10	93	27	90	22,5	M10	14	5	15	118
M129-90 M12	93	27	90	22,5	M12	14	5	15	120