

ART. M136

REVOLVING AND FOLDING HANDLE

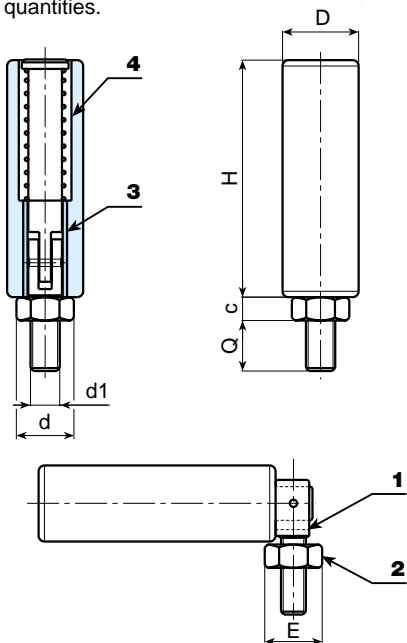
MATERIAL:
Reinforced polyamide.
Oils and greases resistant.

SURFACE:
Satin.

COLOUR:
Black (RAL 9011).

- INSERTS:**
- (1) Black oxide-treated steel revolving and folding stud with head for fitting screwdriver.
 - (2) Threaded black oxide-treated steel nut DIN 934.
 - (3) Zinc plated steel spring.
 - (4) Zinc plated steel insert with smooth hole.

- SPECIAL REQUESTS:**
- It is possible to supply the inserts with different treatment-finishes, on request and for quantities.
 - It is possible to supply colours as shown in the table at page 22, on request and for quantities.



Art.	H	D	d	E	d1	c	Q	Weight (gr)	F1 (N)
M136-50 M06	49	20	15	10 (11)	M6	5	9	39	270
M136-70 M08	69	25	19	13 (15)	M8	6	10	71	840
M136-82 M10	81	26	-	17 (19)	M10	8	17	152	1700
M136-90 M10	89	26	-	17 (19)	M10	8	17	160	2700